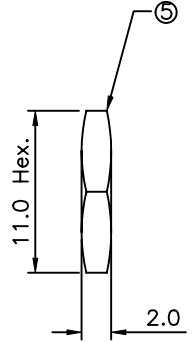
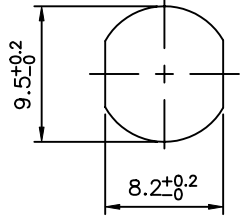


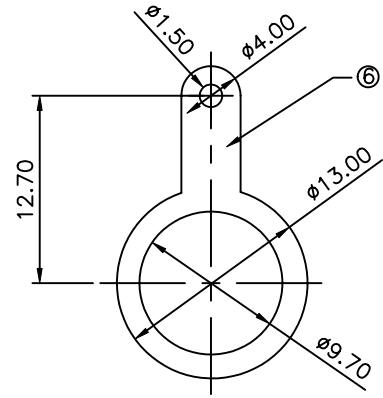
Lock Washer



Nut



Recommended Mounting Hole



Solder Tag

RoHS Compliant

| No. | Name | Material | Finish |
|-----|----------------|-----------------|---------------|
| 1 | Body | Zinc Alloy | Nickel Plated |
| 2 | Dielectric | Delrin | Short |
| 3 | Center Contact | Phosphor Bronze | Gold Plated |
| 4 | Washer | Steel | Nickel Plated |
| 5 | Nut | Iron | Nickel Plated |
| 6 | Solder Tag | Steel | Nickel Plated |

4UCON 元化興業股份有限公司
4UCON TECHNOLOGY INC.

DRAWING No.
19625

APPROVED BY MEI
CHECKED BY HZF
DRAWING BY XYH

UNLESS OTHERWISE SPECIFIED TOLERANCES ARE
X. ±0.5
.X ±0.3
.XX ±0.2

SCALE NONE

REV. A0

UNIT mm

| | | | | |
|------|------|-------------|-----|------------|
| NO. | REV. | REVISIONS | CHK | DATE |
| △ A0 | | NEW RELEASE | HZF | 01/10/2009 |