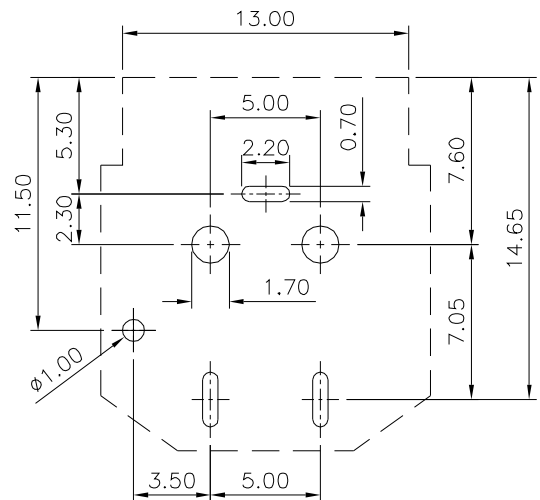
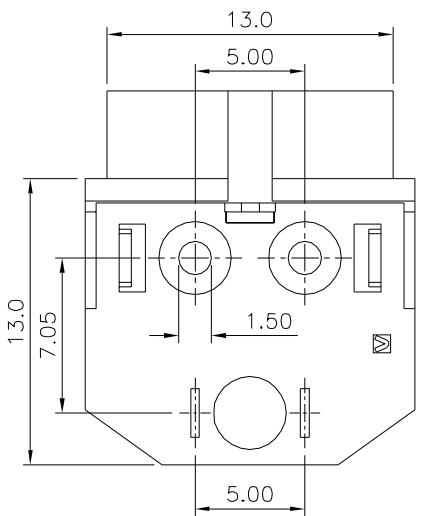


SPECIFICATION
 Current Rated: Pin 1 & Pin 2:7.5A, Pin 3:1A
 Voltage Rated:20V DC
 Operation Temperature:-20°C~+85°C
 Housing:PBT(UL94V-0)
 Back Cover:PBT(UL94V-0)
 Contact:Phosphor Bronze,Silver Plated Over Nickel
 Shell:Brass,Nickel Plated Over All
 RoHS Compliant



Recommended P.C.B. Layout(Part Mount Side)

4UCON 元化興業股份有限公司
 4UCON TECHNOLOGY INC.

DRAWING No.		APPROVED BY		UNLESS OTHERWISE SPECIFIED TOLERANCES ARE .X ±0.20 .XX ±0.15 .XXX ±0.10 .XXXX ±0.05 ANG. ±1°
10233		MEI		
		CHECKED BY		
		HZF		
		DRAWING BY		UNIT mm
		SONG		
SCALE	NONE	REV.	A0	NO. REV.

△ A0	NEW RELEASE	HZF	03/12/2014
	REVISIONS	CHK	DATE