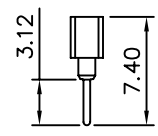
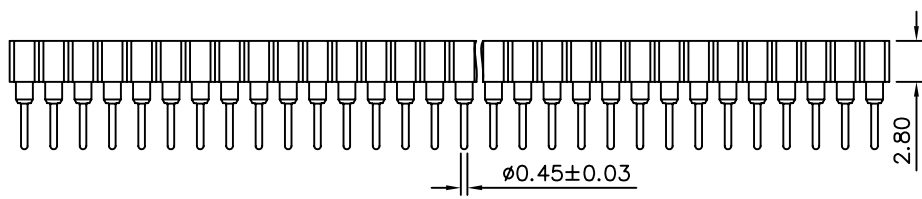
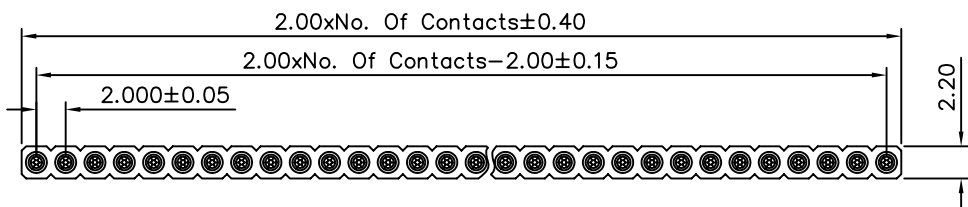
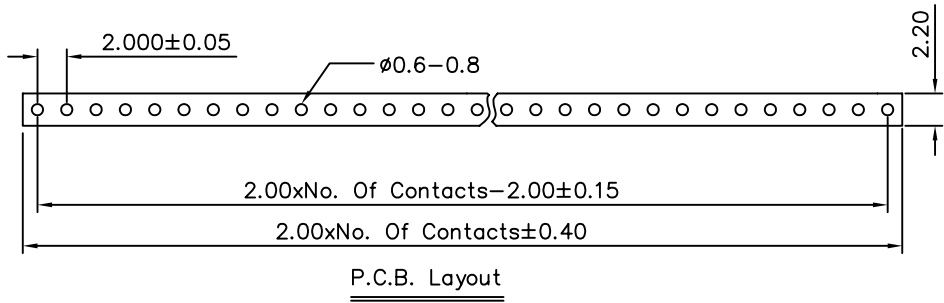


**SPECIFICATIONS**

Current Rating: 3 Amp/Contact Max.  
 Contact Resistance: 4 Milliohms Max./Contact  
 Insulation Resistance: 1000 Megohms Min. At 100V  
 Operating Voltage: 60V AC/DC  
 Average Insertion Force With Steel Pin Of  $\phi 0.43\text{mm}$ : <50g  
 Average Withdrawal Force With Steel Pin Of  $\phi 0.43\text{mm}$ : >15g  
 Mechanical Life Cycle: 200 Min.  
 Operating Temperature:  $-40^{\circ}\text{C}$  To  $+105^{\circ}\text{C}$   
 Soldering Temperature:  $+260^{\circ}\text{C}$ , 10s Max.  
 Pin(Outer Sleeve): Brass, Machined CuZn38Pb2  
 Clip(Contact 6 Finger): Beryllium Copper, Heat Treated  
 Plating(Outer Sleeve): Tin Plated: 2um/80u" Ni, 5um/200u" Sn  
 Plating(Contact): 2um/80u" Ni, Gold Plated  
 Insulator: Glass Filled Thermoplastic Polyester, UL 94V-0, Black



**4UCON** 元化興業股份有限公司  
 4UCON TECHNOLOGY INC.

|             |      |             |    |   |    |          |             |       |            |
|-------------|------|-------------|----|---|----|----------|-------------|-------|------------|
| DRAWING No. |      | APPROVED BY |    | UNLESS OTHERWISE SPECIFIED TOLERANCES ARE<br>X. ±0.35<br>.X ±0.20<br>.XX ±0.15<br>.XXX ±0.05<br>ANG ±5° |    |          |             |       |            |
| 07685       |      | MEI         |    |   |    |          |             |       |            |
|             |      | CHECKED BY  |    |   |    |          |             |       |            |
|             |      | BECKY       |    |   |    |          |             |       |            |
|             |      | DRAWING BY  |    |   |    |          |             |       |            |
|             |      | HZF         |    |   |    |          |             |       |            |
| SCALE       | NONE | REV.        | A0 | UNIT  | mm | NO. REV. | REVISIONS   | CHK   | DATE       |
|             |      |             |    |   |    | A0       | NEW RELEASE | BECKY | 11/04/2005 |