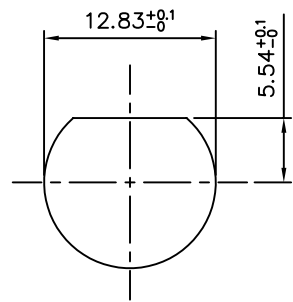
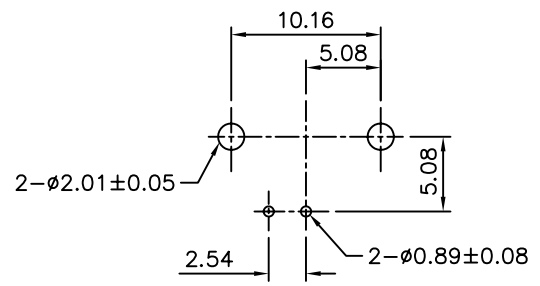


SPECIFICATIONS

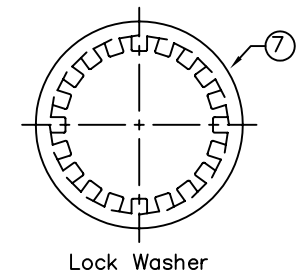
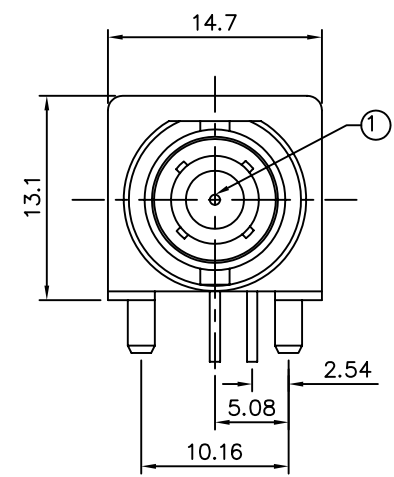
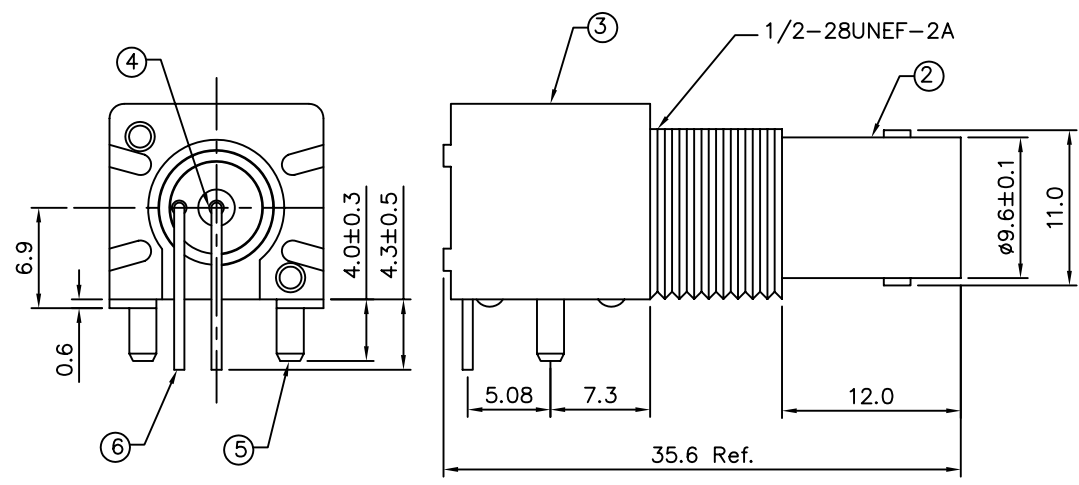
- 75 Ohms BNC R/A PCB Mount Jack
- 1.Center Contact:Bronze,Gold Plated
- 2.Body: Zinc Alloy,Nickel Plated
- 3.Housing: PBT(UL 94V-0),White
- 4.Insulator: PE-606
- 5.Mounting Post:Bronze,Tin Plated
- 6.Solder Tail: Copper Wire,Tin Plated
- 7.Washer: Steel,Nickel Plated
- 8.Nut: Brass,Nickel Plated



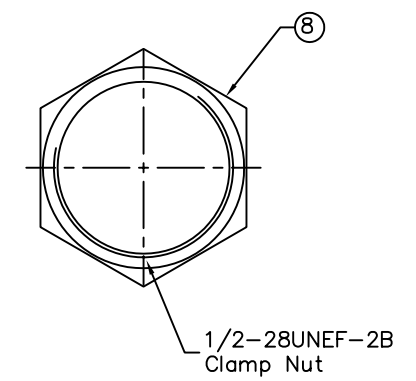
Recommended Mounting Hole
Max. Panel Thickness: 5.5mm



Recommended P.C.Board Layout
Without Mounting Posts



Lock Washer



1/2-28UNEF-2B
Clamp Nut

4UCON 元化興業股份有限公司
4UCON TECHNOLOGY INC.

| | | | | | | | | |
|-------------|------|-------------|----|---|----|---------|-------------|------------------|
| DRAWING No. | | APPROVED BY | | UNLESS OTHERWISE SPECIFIED TOLERANCES ARE X. ±0.5 .X ±0.3 .XX ±0.2 | | | | |
| 06544 | | MEI | | | | | | |
| | | BECKY | | | | | | |
| | | DRAWING BY | | | | | | |
| | | HZF | | | | | | |
| SCALE | NONE | REV. | B0 | UNIT | mm | △ B0 | NEW RELEASE | BECKY 05/12/2006 |
| | | | | | | NO.REV. | REVISIONS | CHK DATE |