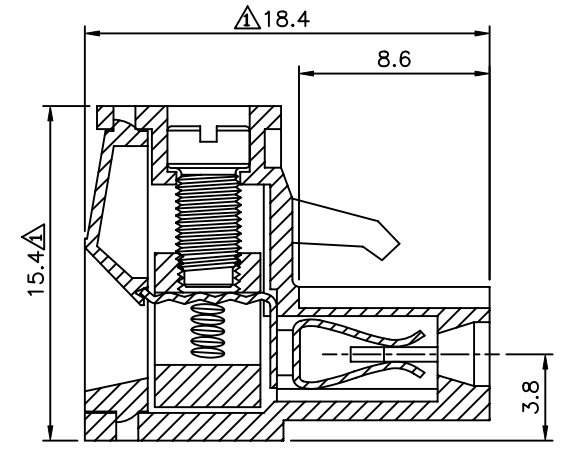
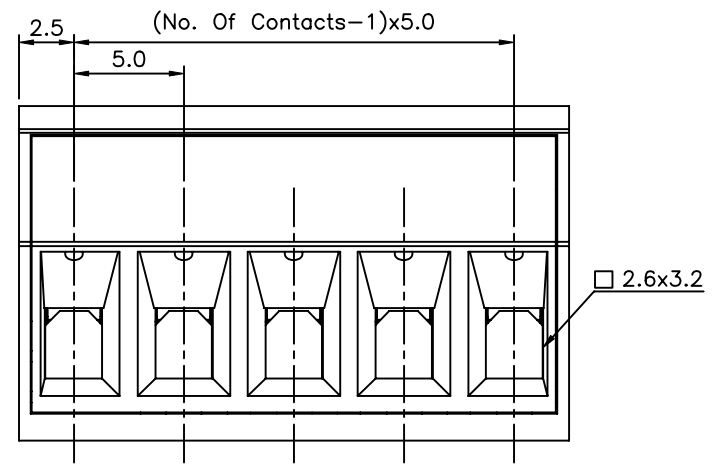
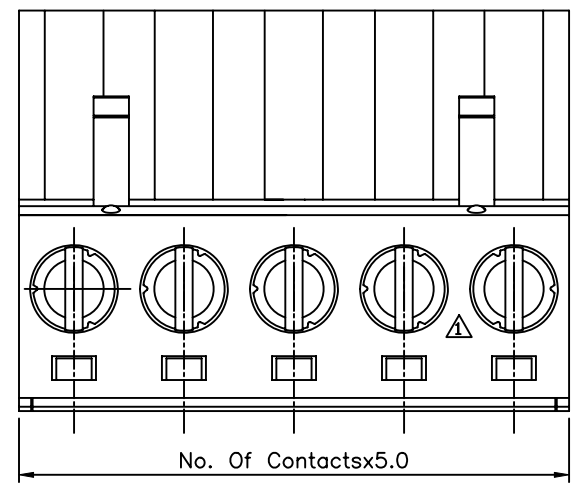


**△ SPECIFICATION**

Voltage Rating:250V AC  
 Current Rating:10 Amp/Way Max.  
 Contact Resistance:20 Milliohms Max.  
 Insulation Resistance:5000 Megaohms/1000V  
 Withstanding Voltage:1500V AC(1 Minute) Test Time=60Sec./1PCS  
 Wire Range:12~26AWG  
 Torque:4.3 kgf.cm/M3  
 Operation Temperature:-40°C~+120°C  
 Contact(Metal Housing):Copper Alloy  
 Terminal Screw:Steel,Galvanized With Cr3+ Plated  
 Wire Guard:Copper Alloy,Tin Plated  
 Insulator Body(Housing):Polyamide(Glass Filled)(UL94V-0),Green  
 RoHS Compliant



**4UCON** 元化興業股份有限公司  
 4UCON TECHNOLOGY INC.

DRAWING No.		APPROVED BY		UNLESS OTHERWISE SPECIFIED TOLERANCES ARE X. ±0.50 .X ±0.30 .XX ±0.20 ANG. ±1°				
05300		MEI						
		CHECKED BY						
		HZF						
		DRAWING BY						
		WZL						
SCALE	NONE	REV.	A1	UNIT	mm			
						NO. REV.	REVISIONS	CHK DATE
						△ A1	Modify Data	HZF 07/13/2010
						△ A0	NEW RELEASE	HZF 05/13/2009