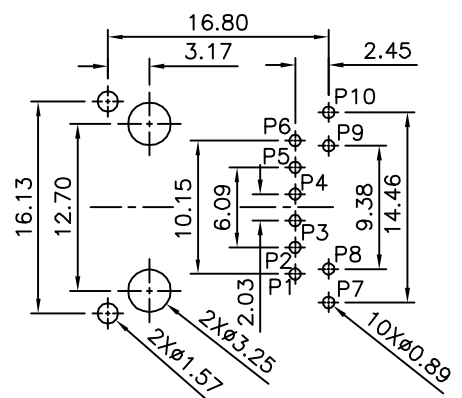
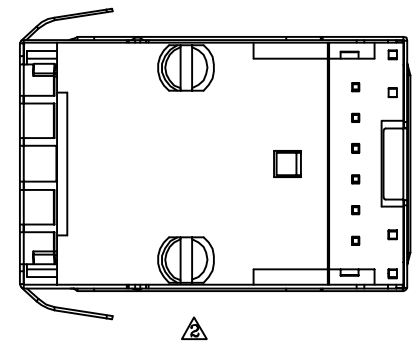
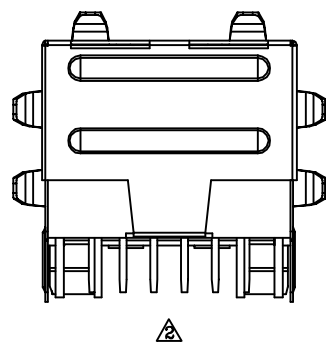
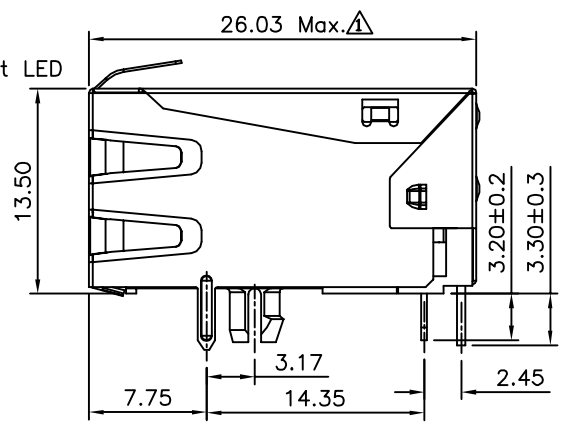
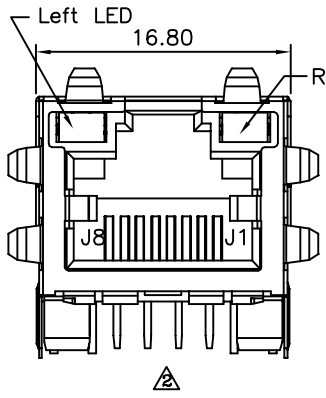


**△△ SPECIFICATION**  
 Insulator:PA66(UL94V-0),Black  
 Inserter:PBT,Black  
 Contact:Copper Alloy  
 Gold Plated 6u" On Contact Area,  
 Tin Plated On Solder Tails,Over Nickel  
 Shield:Copper Alloy,Nickel Plated  
 Pin Not Electrically Connected Maybe Omitted See  
 Electrical Drawing For Omitted Pins  
 RJ45 Cavities Conform To FCC Rules And Regulation Part 68.  
 Operation Temperature:0°C~+70°C  
 △ Storage Temperature:-40°C~+85°C  
 RoHS Compliant



Recommended P.C.B. Layout

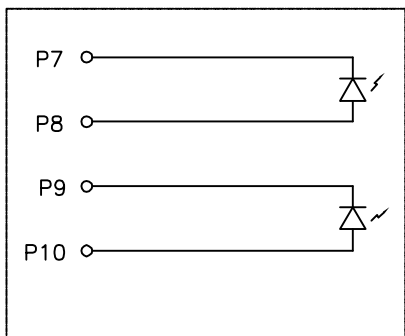
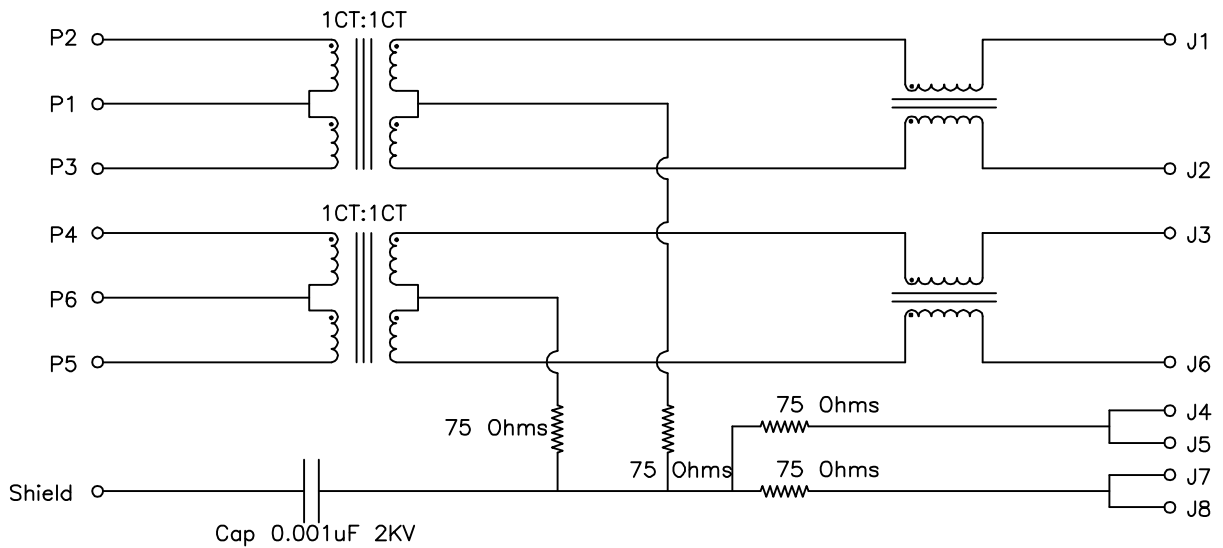
**4UCON** 元化興業股份有限公司  
 4UCON TECHNOLOGY INC.

DRAWING No.		APPROVED BY		UNLESS OTHERWISE SPECIFIED TOLERANCES ARE .XX ±0.25
22034		EMILY		
		HZF		
		DRAWING BY		UNIT mm
		HAO		
SCALE	NONE	REV.	A3	

△ A3	Modify Data	HZF	03/16/2015
△ A2	Modify Data	HZF	10/04/2012
△ A1	Modify Data	HZF	09/21/2011
△ A0	NEW RELEASE	HZF	10/03/2009
NO. REV.	REVISIONS	CHK	DATE

**⚠⚠ ELECTRICAL SPECIFICATION@25°C**

- 1.0 Turns Ratio:(P2~P3):(J1~J2):1:1±3%  
(P4~P5):(J3~J6):1:1±3%
- 2.0 Inductance:(P2~P3)And(P4~P5):350uH Min. @ 0.1V,100 KHz,  
8mA DC Bias
- 3.0 Leakage Inductance:  
P2~P3(With J1 And J2 Short):0.35uH Max. @1 MHz  
P4~P5(With J3 And J6 Short):0.35uH Max. @1 MHz
- 4.0 Interwinding:Capacitance:(P2~P3):(J1~J2):35pF Max. @ 1 MHz  
(P4~P5):(J3~J6):35pF Max. @ 1 MHz
- 5.0 DC Resistance:(J1~J2):(J3~J6):1.2 Ohms Max.
- 6.0 Return Loss:1 MHz~30 MHz:-18dB Min.  
30 MHz~60 MHz:-(18-20Log(f/30))dB Min.  
(Where f Is In MHz)  
60 MHz~80 MHz:-12dB Min.
- 7.C Isolation Withstand:(P2~P3):(J1~J2):1500V AC Or 2250V DC  
(P4~P5):(J3~J6):1500V AC Or 2250V DC
- 8.C Return Loss:1 MHz~100 MHz:-1.2dB Max.
- 9.C Crosstalk:1 MHz~100 MHz:-30dB Min.
- 10.C Common Mode Attenuation:1 MHz~100 MHz:-30dB Min.



LED Color Option

Left LED Single Color Right LED Single Color	Left LED Single Color Right LED Dual Color	Left LED Dual Color Right LED Single Color	Left LED Dual Color Right LED Dual Color
P7 P8	P7 P8	P7 P8	P7 P8
P9 P10	P9 P10	P9 P10	P9 P10

\*F: Forward ; R: Reverse

**⚠⚠**

LED Color		
Code	Forward	Reverse
A	Green	Red
C	Green	Yellow(Amber)
D	Yellow	Red
E	Yellow	Green
F	Red	Green
G	Green	---
H	Red	Yellow
I	Beige	---
J	Green	Orange
K	Black	---
L	Lime	---
M	Orange	Green
N	Amber	---
O	Orange	---
R	Red	---
Y	Yellow	---

**4UCON** 元化興業股份有限公司  
4UCON TECHNOLOGY INC.

DRAWING No.		APPROVED BY		UNLESS OTHERWISE SPECIFIED TOLERANCES ARE .X ±0.38 .XX ±0.25 ANG.
22034		EMILY		
		CHECKED BY		
		HZF		
		DRAWING BY		
		HAO		
SCALE	NONE	REV.	A3	UNIT mm

NO.	REV.	REVISIONS	CHK	DATE
⚠	A3	Modify Data	HZF	03/16/2015
⚠	A2	Modify Data	HZF	10/04/2012
⚠	A1	Modify Data	HZF	09/21/2011
⚠	A0	NEW RELEASE	HZF	10/03/2009