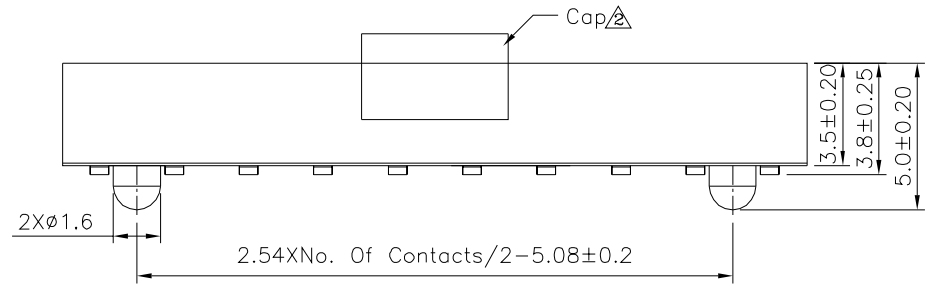
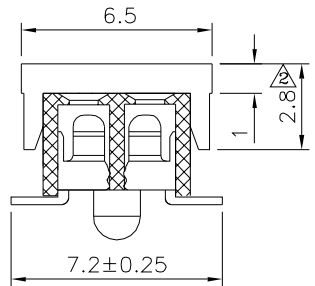
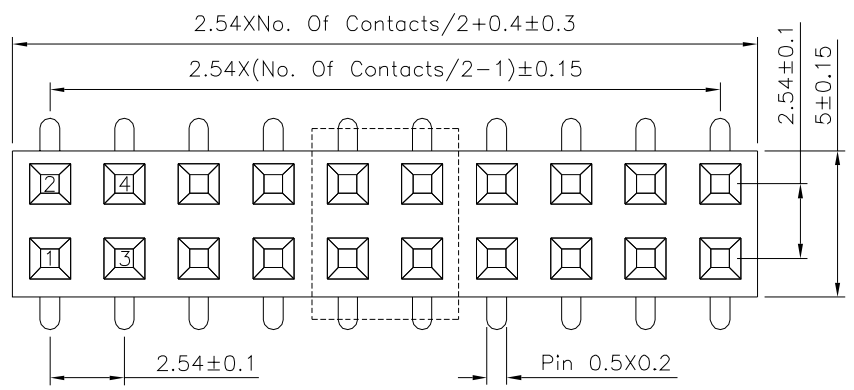
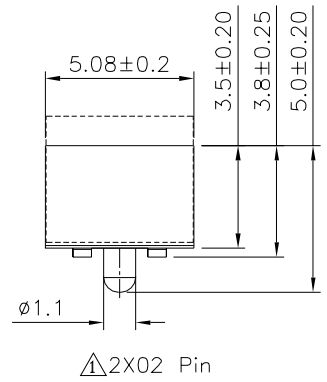
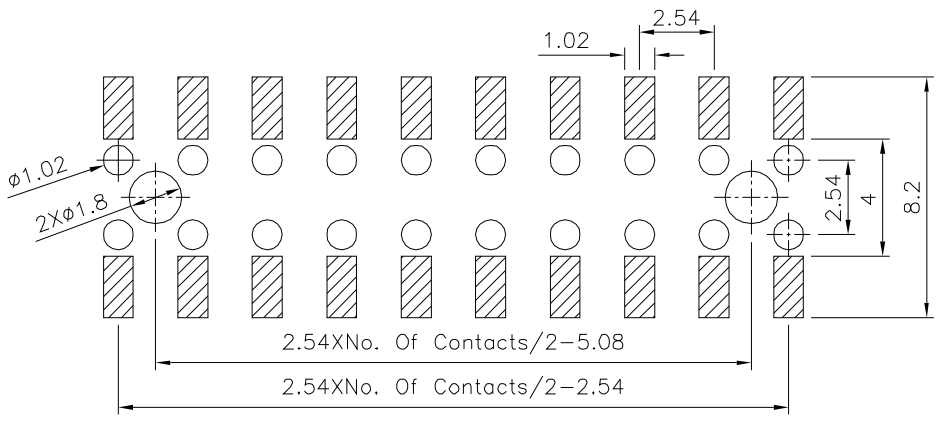


SPECIFICATION

Current Rating:3A
 Withstand Voltage:1000V AC
 Contact Resistance:20 Milliohms Max.
 Insulation Resistance:1000 Megaohms Min.
 Operating Temperature:-40°C~+105°C
 Insulator:PA6T(UL94V-0),Black
 Contact:Phosphor Bronze,Gold Flash Over Nickel
 RoHS Compliant



4UCON 元化興業股份有限公司
 4UCON TECHNOLOGY INC.

DRAWING No.		APPROVED BY		UNLESS OTHERWISE SPECIFIED TOLERANCES ARE X: ±0.25 X*: ±2" .X: ±0.20 .X*: ±1.5" .XX: ±0.15 .XX*: ±1" .XXX: ±0.10 .XXX*: ±0.5"			
21944		MEI					
		CHECKED BY					
		HZF					
		DRAWING BY					
		CYP					
SCALE	NONE	REV.	A1	UNIT	mm		

NO.	REV.	REVISIONS	CHK	DATE
△2	A2	Modify Data	HZF	04/14/2021
△1	A1	Modify Data	HZF	08/26/2015
△0	A0	NEW RELEASE	HZF	07/02/2014