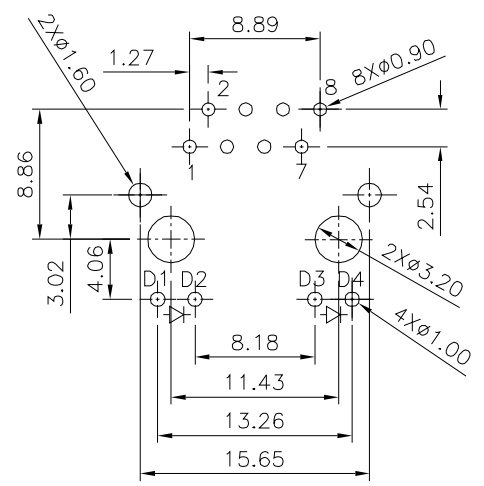
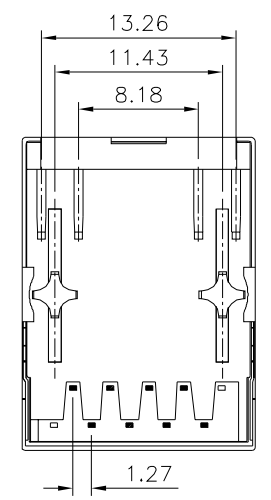
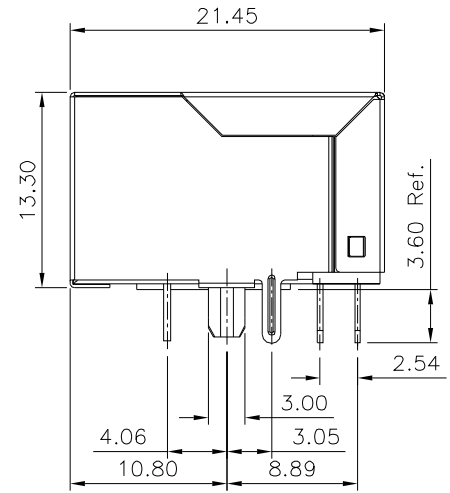
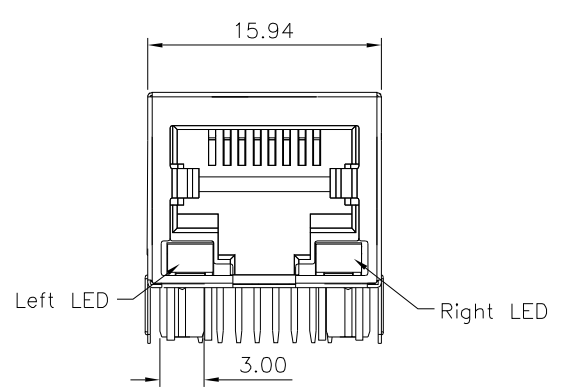
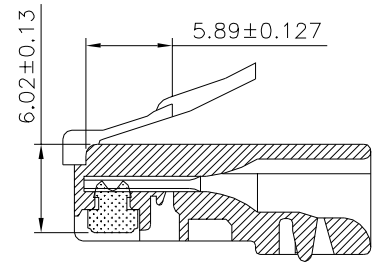


SPECIFICATION
 Housing:PBT(UL94V-0),Black
 Shield:C2680,Nickel Plated
 Contact:Phosphor Bronze
 Gold Plated 06u" On Contact Area,Tin
 Plated On Solder Tails,Over Nickel
 Operation Temperature:0°C~+70°C
 Storage Temperature:-40°C~+85°C
 Cavity Conforms To FCC Rules And Regulations
 Part 68,Subpart F.
 RoHS Compliant



Recommended P.C.B. Layout(Top View)



Recommended Plug Dimension

LED Color					
Gode	Forward	Reverse	Gode	Forward	Reverse
A	Green	Red	J	Green	Orange
C	Green	Yellow(Amber)	K	Black	——
D	Yellow	Red	L	Lime	——
E	Yellow	Green	M	Orange	Green
F	Red	Green	N	Amber	——
G	Green	——	O	Orange	——
H	Red	Yellow	R	Red	——
I	Beige	——	Y	Yellow	——

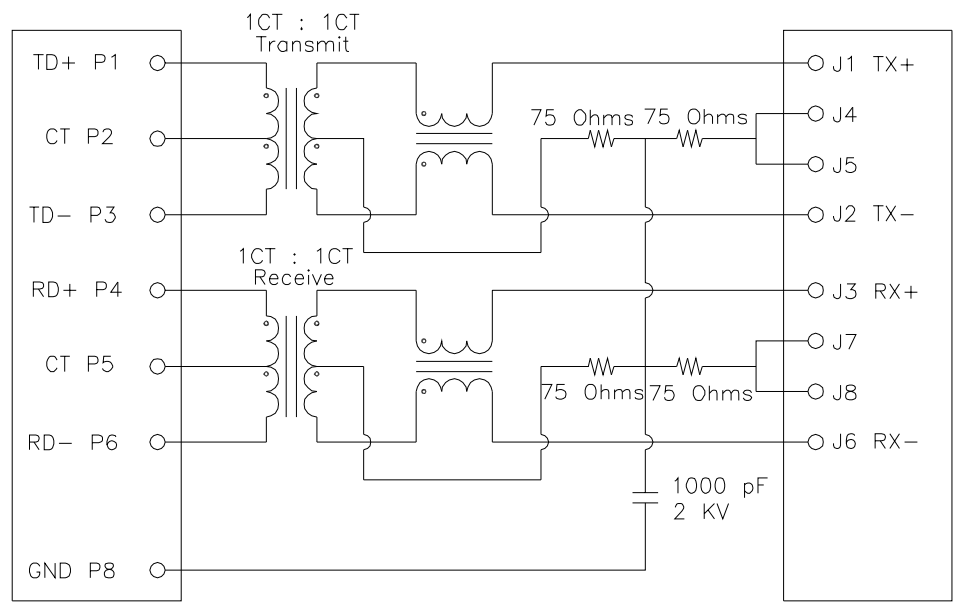
4UCON 元化興業股份有限公司
 4UCON TECHNOLOGY INC.

DRAWING No.		APPROVED BY		UNLESS OTHERWISE SPECIFIED TOLERANCES ARE X. ±0.50 XX ±0.38 XXX ±0.25 .XXX ±0.10 ANG. ±3°
21580		MEI		
		CHECKED BY		
		HZF		
		DRAWING BY		UNIT mm
		CYP		
SCALE	NONE	REV.	A0	

NO.	REV.	REVISIONS	CHK	DATE
△ A0		NEW RELEASE	HZF	09/18/2018

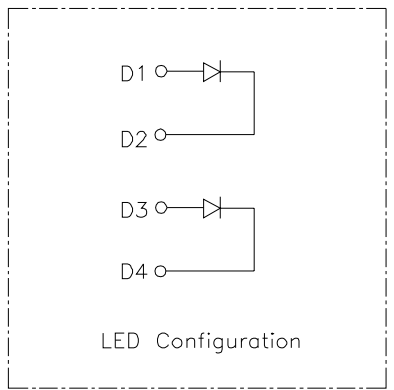
Connector Solder Side

RJ45 Contact Side



ELECTRICAL SPECIFICATION

- Test Notes:(25±5°C)
- 1.TR:(100KHz,0.1V);
Pins:(P1~P3):(J1~J2)=1:1±3%
Pins:(P4~P6):(J3~J6)=1:1±3%
 - 2.LX:(100KHz,100mV,8mA,DC Bias)
Pins:(P1,P3),(P4,P5)=350uH Min.
 - 3.DCR:
Pins:(J1~J2),(J3~J6)=1.2 Ohms Max.
 - 4.Hipot:
Pins(P1,P2,P3) To (J1,J2)=1500V AC For 60 Seconds
Pins(P4,P5,P6) To (J3,J6)=1500V AC For 60 Seconds
 - 5.Insertion Loss:
-1.0dB Max. At 0.3MHz To 100MHz;
 - 6.Return Loss:
-20dB Min. At 1MHz To 30MHz
-15dB Min. At 30MHz To 60MHz
-10dB Min. At 60MHz To 80MHz
 - 7.Cross Talk:
-30dB Min. At 1MHz To 100MHz
 - 8.Common To Common Mode Rejection:
-30dB Min. At 1MHz To 100MHz
- RoHS Compliant



LED Color Option

Left LED Single Color Right LED Single Color	Left LED Single Color Right LED Dual Color	Left LED Dual Color Right LED Single Color	Left LED Dual Color Right LED Dual Color
D1 D2	D1 D2	D1 D2 R F	D1 D2 R F
D3 D4	D3 D4	D3 D4 R F	D3 D4 R F

*F:Forward ; R:Reverse

4UCON 元化興業股份有限公司
4UCON TECHNOLOGY INC.

DRAWING No.
21580

SCALE NONE

APPROVED BY
MEI

CHECKED BY
HZF

DRAWING BY
CYP

REV. A0

UNLESS OTHERWISE SPECIFIED TOLERANCES ARE
.X ±0.38
.XX ±0.25
ANG.

UNIT mm

NO.	REV.	DESCRIPTION	CHK	DATE
A0		NEW RELEASE	HZF	09/18/2018
		REVISIONS		