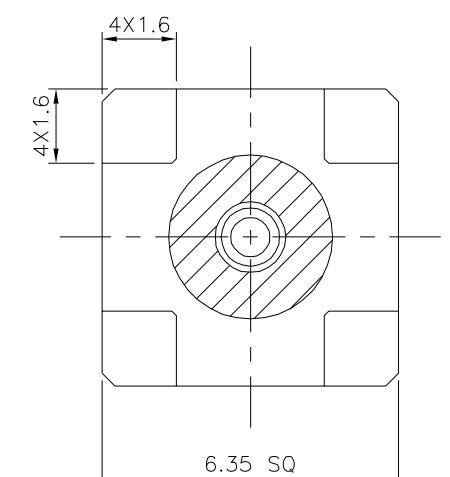
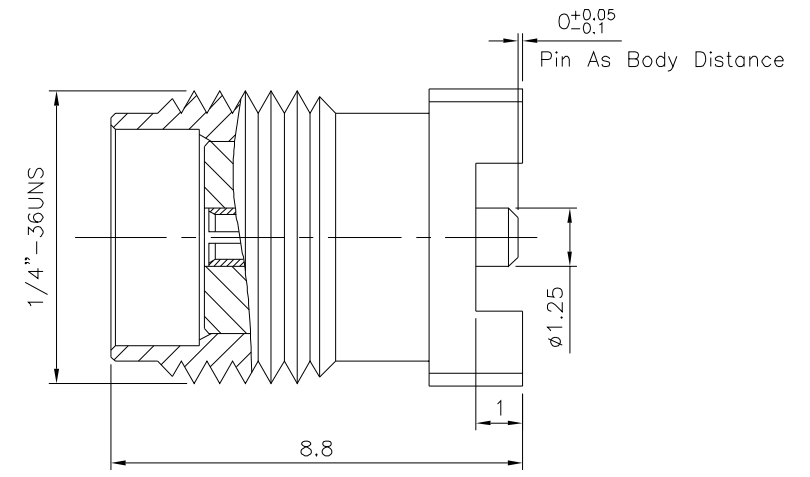


△ Recommended P.C.B. Layout



50 Ohms
RoHS Compliant

△ 03	Center Pin	Phosphor Bronze	1	Gold Plated Over Nickel
△ 02	Insulator	Teflon	1	
△ 01	Body	Brass	1	Gold Plated Over Nickel
No.	Description	Material	Q'ty	Remark

4UCON 元化興業股份有限公司
4UCON TECHNOLOGY INC.

DRAWING No. △△		APPROVED BY EMILY	
20195		CHECKED BY HZF	
SCALE NONE		DRAWING BY YBL	
REV.	A2	UNIT	mm

UNLESS OTHERWISE SPECIFIED TOLERANCES ARE				
	X.	±0.1	△	
	.X	±0.1		
	.XX	±0.1		
NO.	REV.	REVISIONS	CHK	DATE
△ 02	A2	Modify Data	HZF	02/28/2014
△ 01	A1	Modify Data	HZF	10/17/2011
△ 00	A0	NEW RELEASE	HZF	07/22/2009