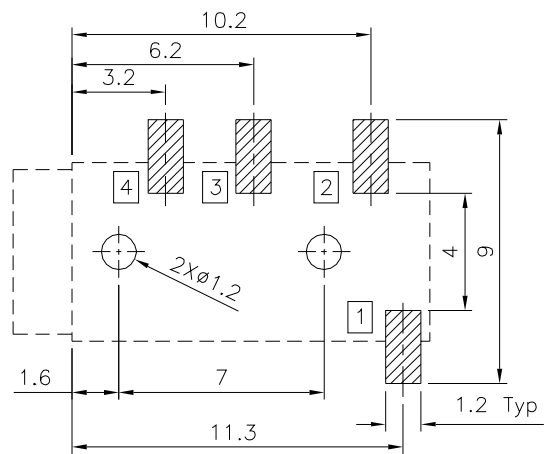
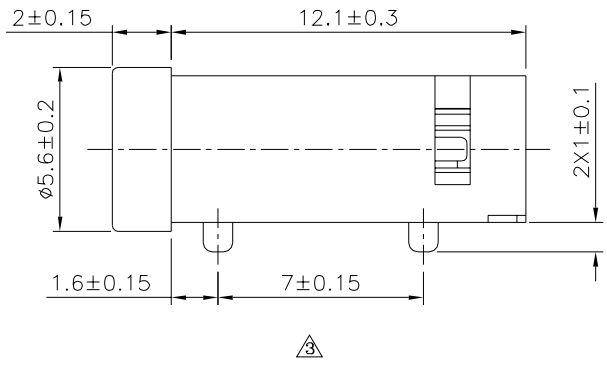
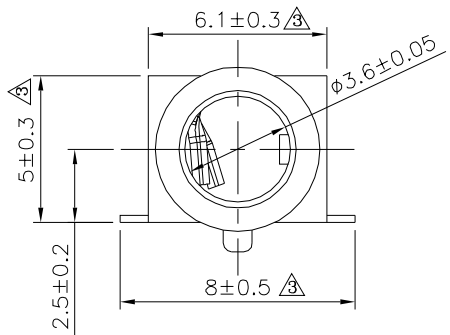
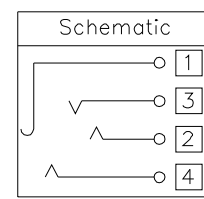
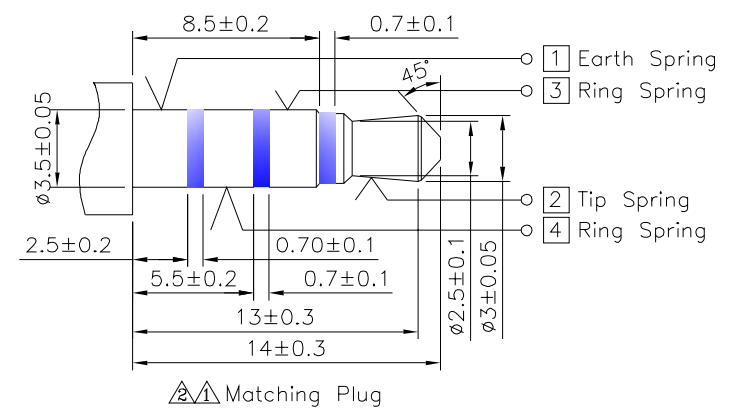
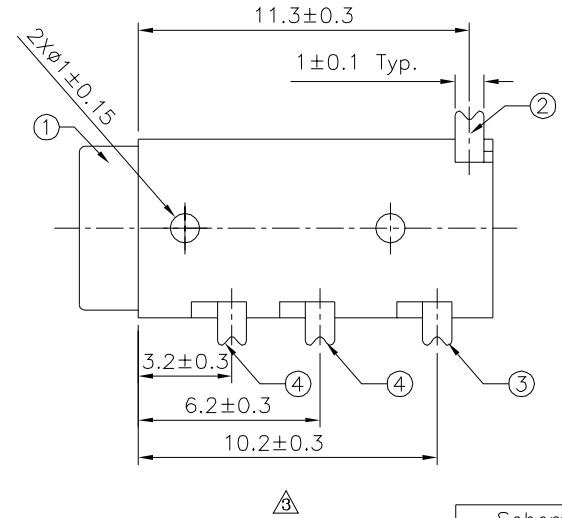


**△△ SPECIFICATION**  
 Rating:DC 30V 0.5A  
 Contact Resistance:100 Milliohms Max.  
 After Test:200 Milliohms Max.  
 Insulation Resistance:100 Megaohms Min. (500V DC)  
 After Test:50 Megaohms Min.  
 Withstand Voltage:500V AC  
 Operation Temperature Range:-20°C~+70°C  
 RoHS Compliant



Recommended P.C.B. Layout(Top View)  
 (PCB Board Tolerance±0.05)



④	Ring Spring	③&④	2	Phosphor Bronze	Silver Plated
③	Tip Spring	②	1	Phosphor Bronze	Silver Plated
②	Earth Spring	①	1	Stainless Steel	Silver Plated
①	Housing		1	PA10T	Black
No.	Description	Q'ty	Material	Remark	

**4UCON** 元化興業股份有限公司  
 4UCON TECHNOLOGY INC.

DRAWING No. **20153**  
 APPROVED BY MEI  
 CHECKED BY HZF  
 DRAWING BY SONG  
 SCALE NONE REV. B3

UNLESS OTHERWISE SPECIFIED TOLERANCES ARE  
 X. ±0.3  
 .X ±0.3  
 .XX ±0.3  
 ANG. ±2°  
 UNIT mm

NO.	REV.	REVISIONS	CHK	DATE
△3	B3	Modify Data	HZF	08/01/2024
△2	B2	Modify Data	HZF	07/08/2022
△1	B1	Modify Data	HZF	09/10/2021
△0	B0	NEW RELEASE	HZF	12/25/2016