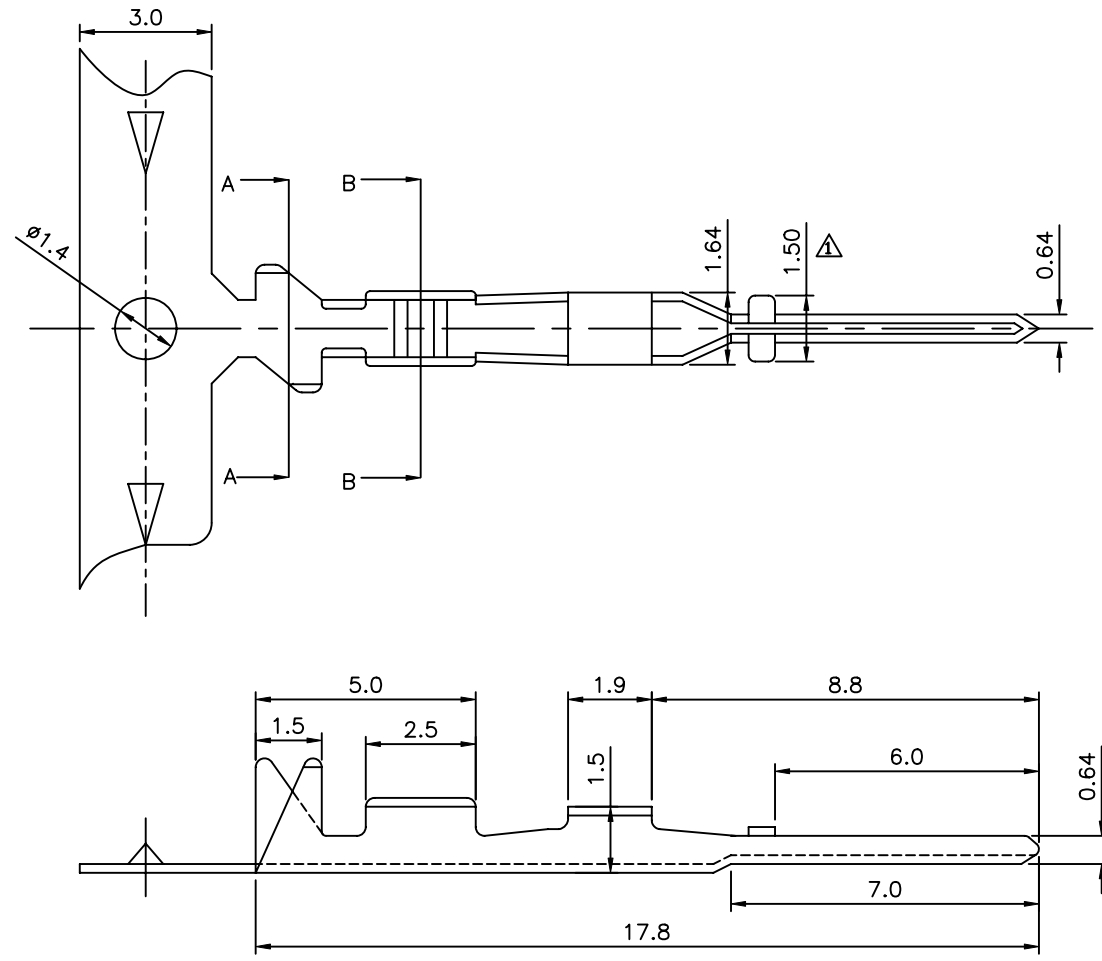


**△ SPECIFICATION**  
 Material: Brass, Tin Plated  
 Wire Range: AWG#22~#28  
 Insulation O.D: 1.70mm Max.  
 Thickness: 0.2mm  
 Q'ty: 10000 PCS/Reel  
 RoHS Compliant



Section A-A

Section B-B

**4UCON** 元化興業股份有限公司  
 4UCON TECHNOLOGY INC.

DRAWING No.		APPROVED BY		UNLESS OTHERWISE SPECIFIED TOLERANCES ARE
20081		EMILY		
		CHECKED BY		
		HZF		
		DRAWING BY		.X ±0.38
		WSS		.XX ±0.25
		REV.		ANG:
SCALE	NONE	A1		UNIT
				mm

NO.	REV.	REVISIONS	CHK	DATE
△ A1		Modify Data	HZF	02/24/2011
△ A0		NEW RELEASE	HZF	03/26/2007