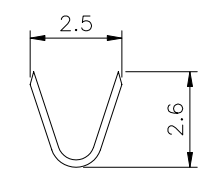
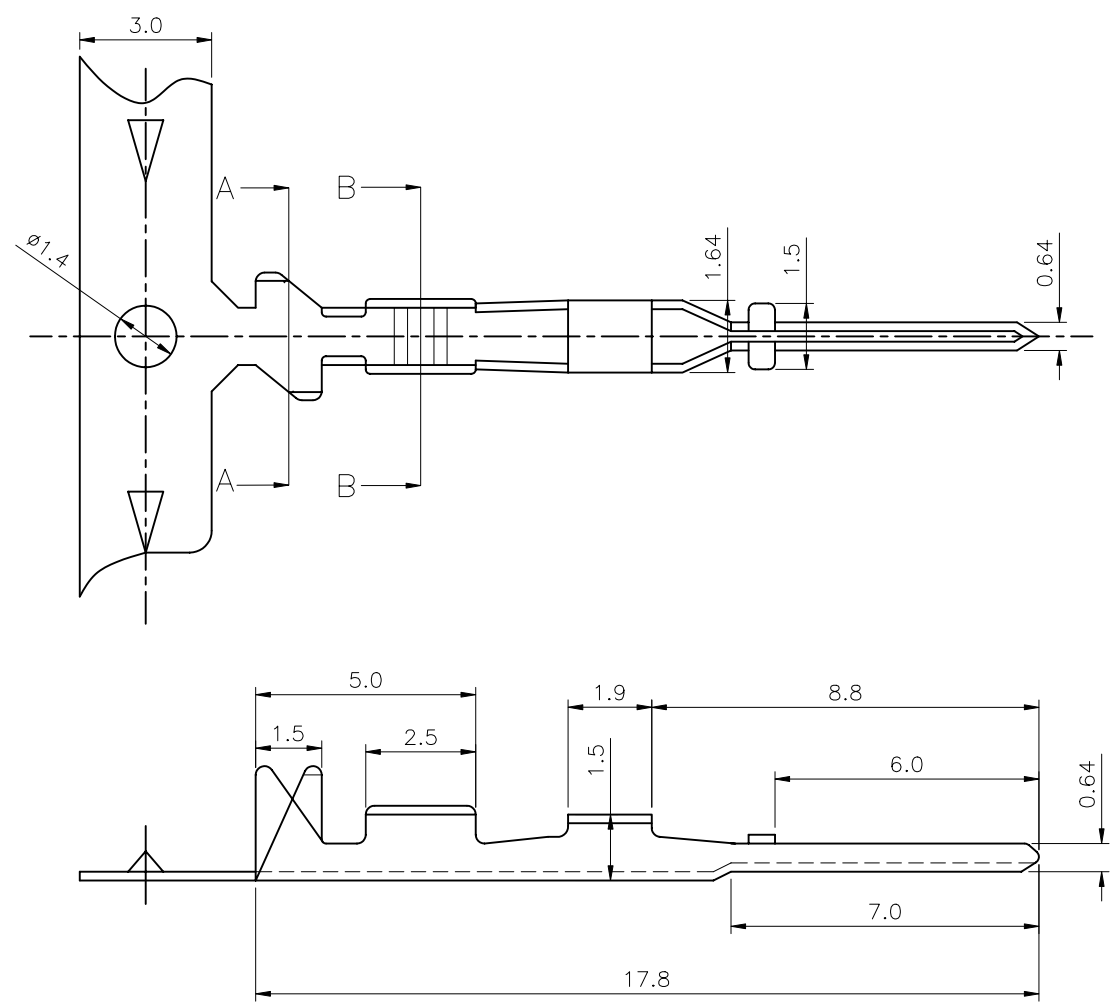
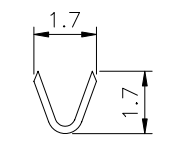


SPECIFICATION
 Material: Brass
 Finished: Tin Plated
 Wire Range: Awg#22~#28
 Insulation O.D.: 1.70mm(Max)
 Thickness: 0.22mm
 Q'ty: 10,000Pcs/Reel
 RoHS Compliant



A-A Section



B-B Section

4UCON 元化興業股份有限公司
 4UCON TECHNOLOGY INC.

DRAWING No.		APPROVED BY		UNLESS OTHERWISE SPECIFIED TOLERANCES ARE
19650		MEI		
		HZF		
		DRAWING BY		.X ±0.38
		JLT		.XX ±0.25
				ANG:
SCALE	NONE	REV.	A0	UNIT
				mm

NO.	REV.	DESCRIPTION	CHK	DATE
△ A0		NEW RELEASE	HZF	03/26/2007
		REVISIONS		