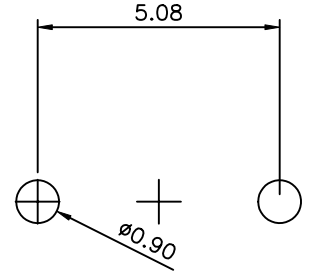
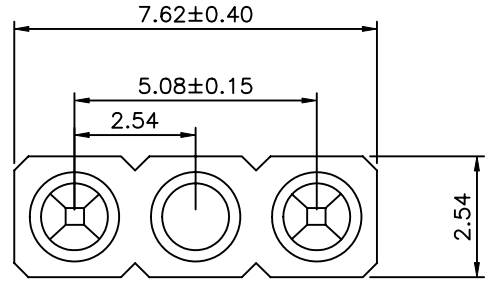
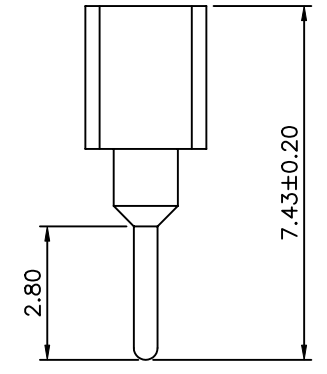
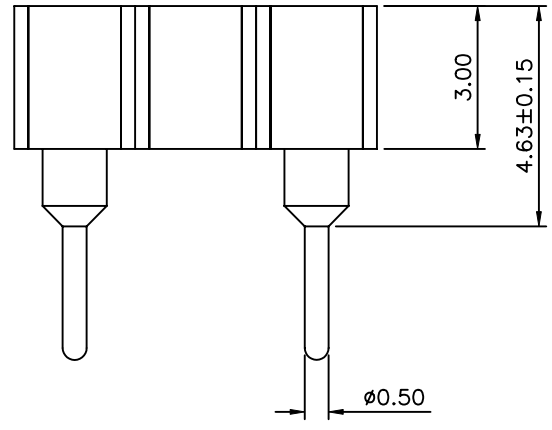


**SPECIFICATION**

Current Rating:3A/Contact Max  
 Contact Resistance:4 Milliohms Max  
 Insulation Resistance:1000 Megaohms Min At 100V  
 Operating Voltage:60V AC/DC  
 Operating Temperatures:-40°C To +105°C  
 Soldering Temperature:+260°C,10S Max  
 Mechanical Life Cycle:200 Min  
 Average Insertion Force With Steel Pin Of  
 ø0.43mm:<250g  
 Average Withdrawal Force With Steel Pin Of  
 ø0.43mm:>90g Min  
 Pin(Outer Sleeve):Brass,Machined CuZn38Pb2  
 Plating(Outer Sleeve):Tin Plated Over Nickel  
 Clip(Contact 4 Finger):Beryllium Copper,Heat Treated  
 Plating(Contact):Gold Over Nickel  
 Insulator Black(Housing):PPS(UL94V-0)  
 RoHS Compliant



P.C.B Layout



**4UCON** 元化興業股份有限公司  
 4UCON TECHNOLOGY INC.

DRAWING No.		APPROVED BY		UNLESS OTHERWISE SPECIFIED TOLERANCES ARE X. ±0.20 ANG. ±5° .X ±0.15 .XX ±0.10 .XXX ±0.05
19293		MEI		
		CHECKED BY		
		HZF		
		DRAWING BY		
		XYH		
SCALE	NONE	REV.	A0	UNIT
				mm

NO.	REV.	REVISIONS	CHK	DATE
△ A0		NEW RELEASE	HZF	06/10/2008