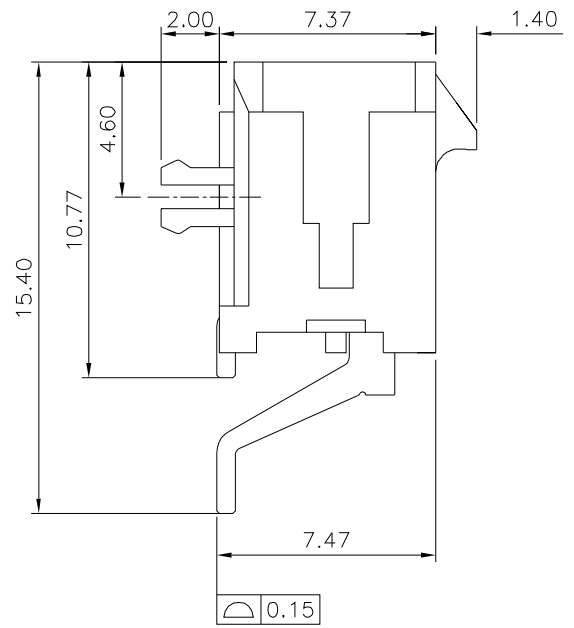
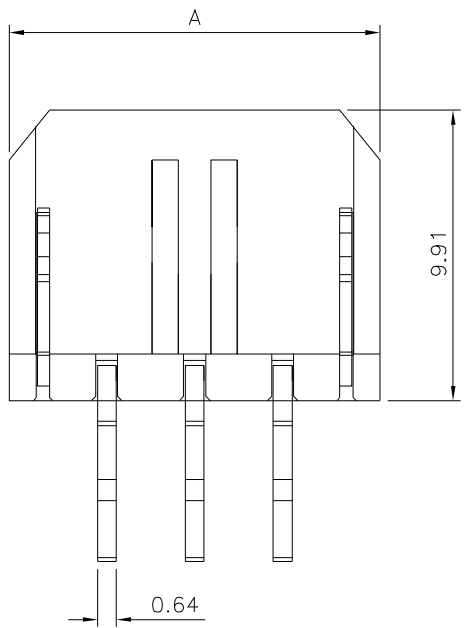


Recommended P.C.B. Layout
(PCB Board Tolerance±0.05)

SPECIFICATION

- 1. Material & Finish
 Insulator: LCP+30%G.F.(UL94V-0)
 Contact: Brass, Tin Plated Over Nickel
- 2. Electrical Characteristics
 Current Rating: 5A
 Contact Resistance: 10 Milliohms Max.
 Insulation Resistance: 1000 Megaohms Min.
 Withstand Voltage: 1000V AC/Minute
- 3. Environmental Characteristics
 Temperature Range: -25°C ~ +85°C
- 4. RoHS Compliant



Pin	A	B	C
02	6.65	—	4.30
04	9.65	3.00	7.30
06	12.65	6.00	10.30
08	15.65	9.00	13.30
10	18.65	12.00	16.30
12	21.65	15.00	19.30
14	24.65	18.00	22.30
16	27.65	21.00	25.30
18	30.65	24.00	28.30
20	33.65	27.00	31.30
22	36.65	30.00	34.30
24	39.65	33.00	37.30

4UCON 元化興業股份有限公司
4UCON TECHNOLOGY INC.

DRAWING No.		APPROVED BY		UNLESS OTHERWISE SPECIFIED TOLERANCES ARE .X ±0.40 .XX ±0.25 .XXX ±0.15 ANG. ±3°
18081		MEI		
		CHECKED BY	HZF	
		DRAWING BY	CYP	
SCALE	NONE	REV.	A0	UNIT mm

△ A0	NEW RELEASE	HZF	07/28/2020
NO. REV.	REVISIONS	CHK	DATE