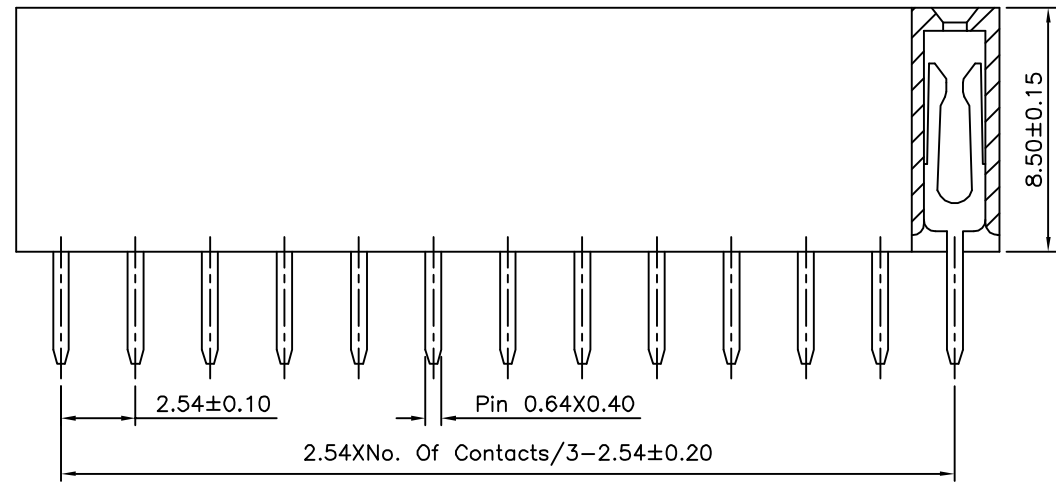
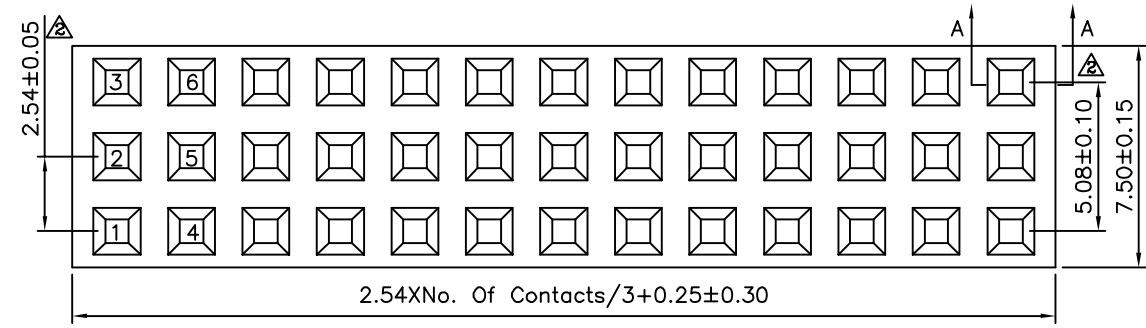
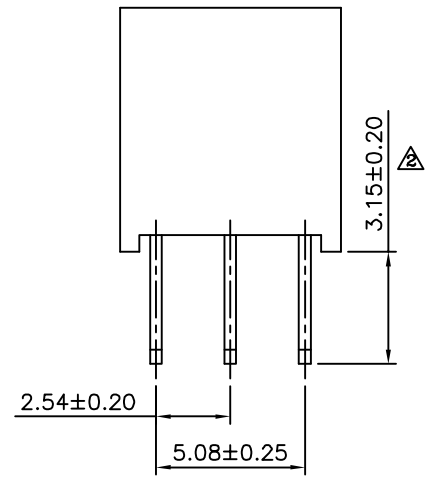


Recommended P.C.B. Layout (Top Side)  
(PCB Board Tolerance ±0.05)

**△ SPECIFICATION**  
 Current Rating: 3.0 Amp  
 Withstand Voltage: 500V AC/DC  
 Contact Resistance: 20 Milliohms Max.  
 Insulation Resistance: 1000 Megaohms Min.  
 Operation Temperature: -40°C ~ +105°C  
 Contact: Brass, Gold Plated Over Nickel  
 Insulator: PBT+30%G.F.(UL94V-0), Black  
 RoHS Compliant



Section A-A



**4UCON** 元化興業股份有限公司  
 4UCON TECHNOLOGY INC.

|             |      |                 |    |  |
|-------------|------|-----------------|----|--|
| DRAWING No. |      | APPROVED BY     |    | UNLESS OTHERWISE SPECIFIED TOLERANCES ARE<br>△ .X ±0.40<br>.XX ±0.25<br>.XXX ±0.15<br>ANG. ±3° |
| 16620       |      | EMILY           |    |  |
|             |      | CHECKED BY HZF  |    |  |
|             |      | DRAWING BY SONG |    |  |
| SCALE       | NONE | REV.            | A2 | UNIT mm  |

|      |      |             |       |            |
|------|------|-------------|-------|------------|
| NO.  | REV. | REVISIONS   | CHK   | DATE       |
| △ A2 |      | Modify Data | HZF   | 10/31/2011 |
| △ A1 |      | Modify Data | BECKY | 11/15/2005 |
| △ A0 |      | NEW RELEASE | BECKY | 05/03/2005 |