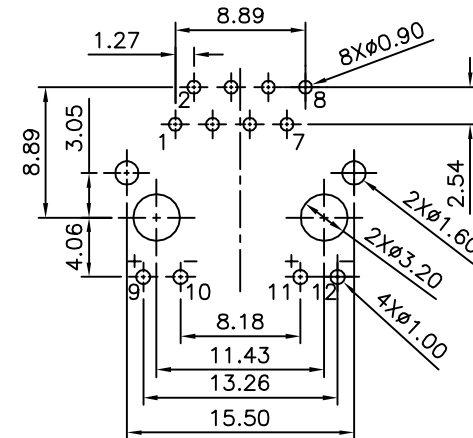
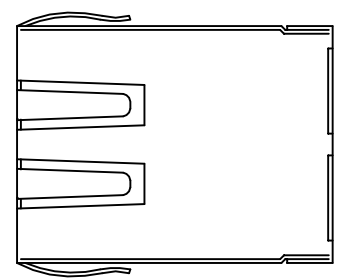
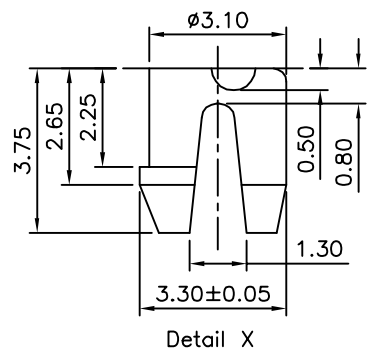
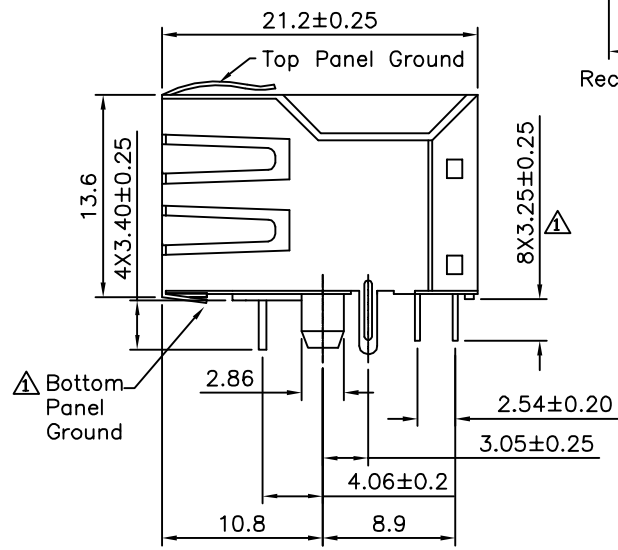
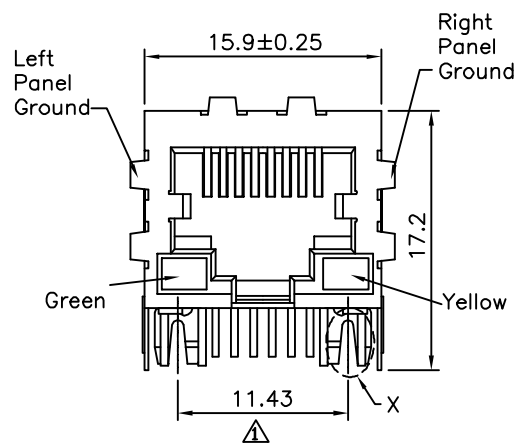


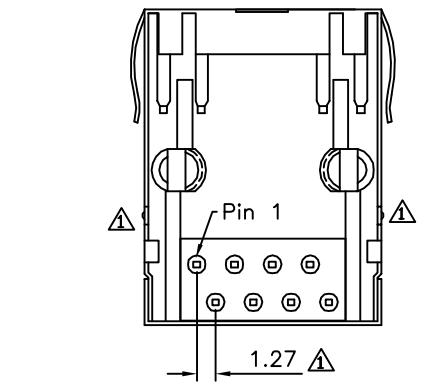
**△ SPECIFICATION**  
 Housing&Insert:PBT+G.F.(UL94V-0),Black  
 Contact:Phosphor Bronze  
 Gold Plated 06u" On Contact Area,Gold  
 Flash On Other Area,Over Nickel  
 Shield:Copper Alloy,Nickel Plated  
 Cavity Confirms To FCC Rules And Regulations  
 Part 68,Subpart F.  
 RoHS Compliant



Recommended P.C.B. Layout



Detail X



**4UCON** 元化興業股份有限公司  
 4UCON TECHNOLOGY INC.

DRAWING No.		APPROVED BY		UNLESS OTHERWISE SPECIFIED TOLERANCES ARE △ .X ±0.25 .XX ±0.13 .XXX ±0.05 ANG. ±0.5°
15751		EMILY		
		CHECKED BY HZF		
		DRAWING BY HAO		
SCALE	NONE	REV.	A2	UNIT mm

NO.	REV.	REVISIONS	CHK	DATE
△ A2		Modify Data	HZF	05/13/2015
△ A1		Modify Data	HZF	09/13/2012
△ A0		NEW RELEASE	INGRID	11/21/2007