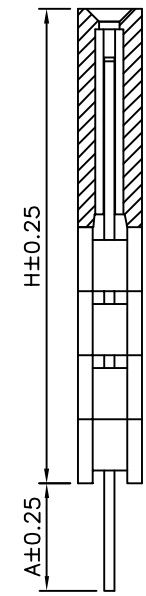
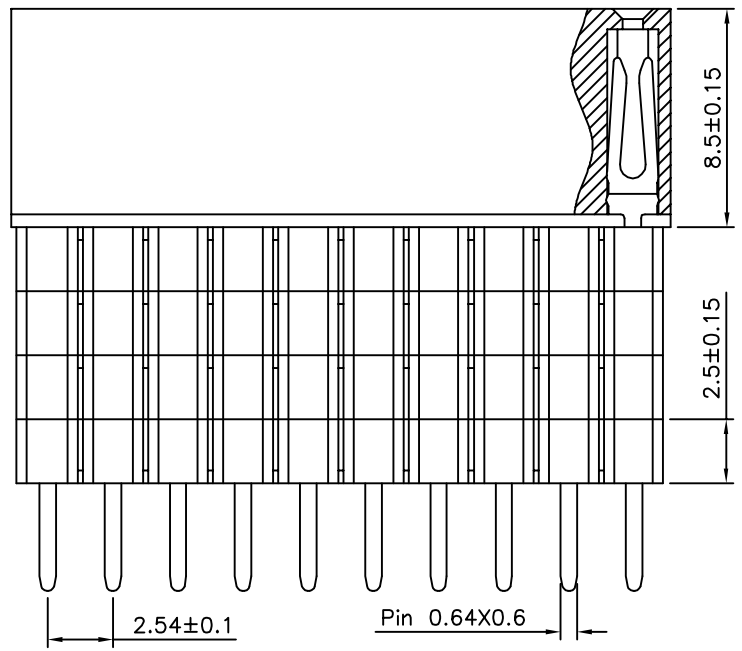
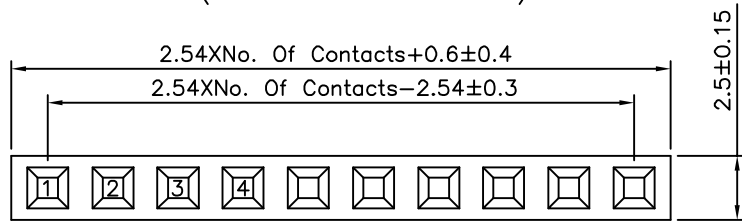


Recommended P.C.B. Layout (Top View)
 (PCB Board Tolerance ± 0.05)



SPECIFICATION
 Current Rating:3A
 Withstand Voltage:1000V AC
 Contact Resistance:20 Milliohms Max.
 Insulation Resistance:1000 Megaohms Min.
 Operating Temperature:-40°C~+105°C
 Insulator:PA6T(UL94V-0),Black
 Contact:Brass,Gold Flash Over Nickel
 RoHS Compliant

Series No.	Plastic Q'ty	H	A
0196	1	11.00	2.30
0196	1	11.00	7.00
0196	1	11.00	12.30
0197	2	13.50	4.50
0197	2	13.50	9.80
0198	3	16.00	2.00
0198	3	16.00	7.30
0199	4	18.50	4.80

4UCON 元化興業股份有限公司
 4UCON TECHNOLOGY INC.

DRAWING No.		APPROVED BY		UNLESS OTHERWISE SPECIFIED TOLERANCES ARE X .X ± 0.25 X. [*] ± 0.2 .XX ± 0.15 .XX [*] ± 0.1 .XXX ± 0.10 .XXX [*] ± 0.5
15244		EMILY		
		CHECKED BY		
		HZF		
		DRAWING BY		UNIT mm
		HAO		
SCALE	NONE	REV.	A0	

NO.	REV.	DESCRIPTION	CHK	DATE
	A0	NEW RELEASE	HZF	12/11/2014
		REVISIONS		