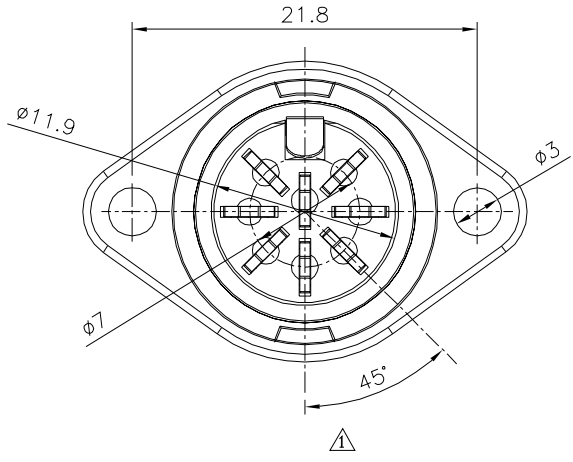
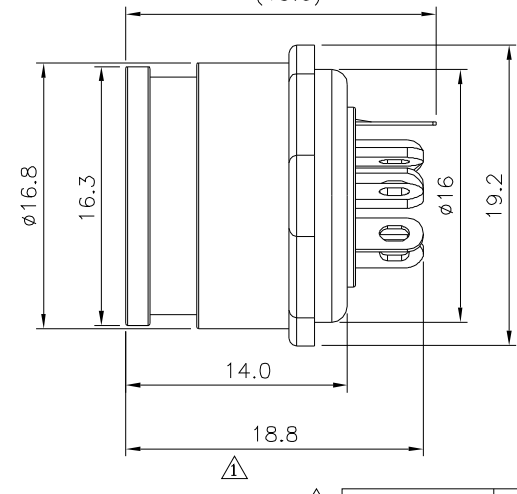
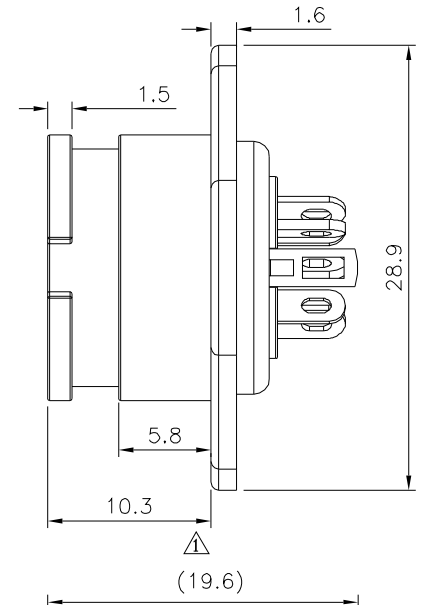
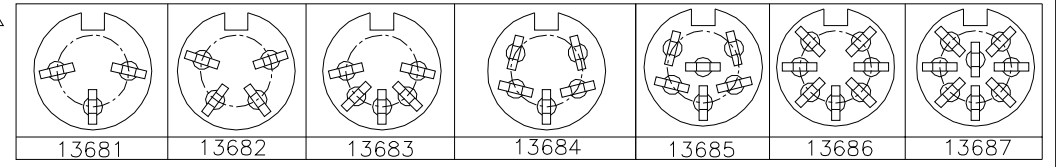


SPECIFICATION

Rating:100V AC 4A Max.
 Contact Resistance:Pins:30 Milliohms Max.
 Shell:50 Milliohms Max.
 Insulation Resistance:100 Megaohms Min.
 @ 500V DC
 Withstanding Voltage:250V AC RMS For 1 Minute
 RoHS Compliant



④	Negative Contactor	Copper	Nickel Plated	1
③	Terminals	Brass	Silver Plated	XX
②	Housing	ABS	_____	1
①	Shield Cover	Zn Alloy	Nickel Plated	1
No.	Description	Material	Finish	Q'ty



4UCON 元化興業股份有限公司
 4UCON TECHNOLOGY INC.

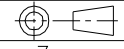
DRAWING No. \triangle
13684

APPROVED BY Jason Wu
 CHECKED BY Leo Han
 DRAWING BY Michelle Lee

UNLESS OTHERWISE SPECIFIED TOLERANCES ARE
 .X ± 0.3
 .XX ± 0.20 \triangle

SCALE NONE REV. A1

UNIT mm



\triangle	A1	Modify Data	HZF	10/27/2025
\triangle	A0	NEW RELEASE	HZF	02/14/2014
NO. REV.	REVISIONS		CHK	DATE