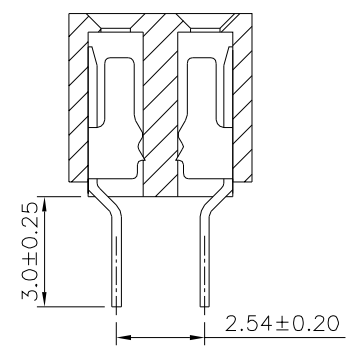
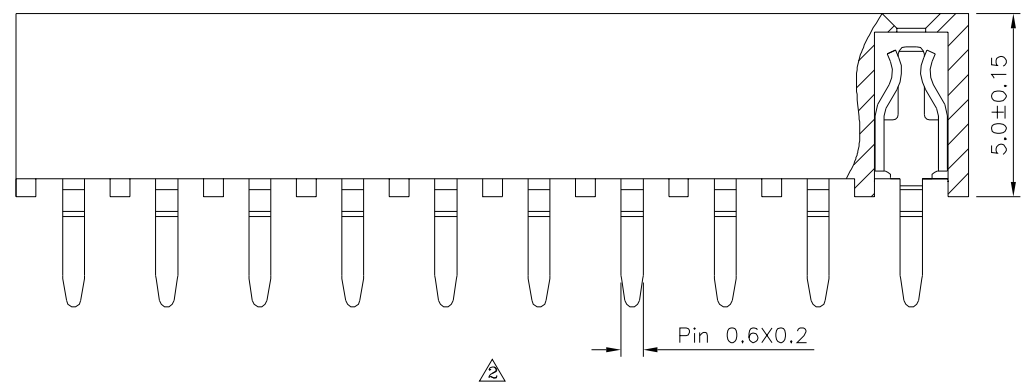
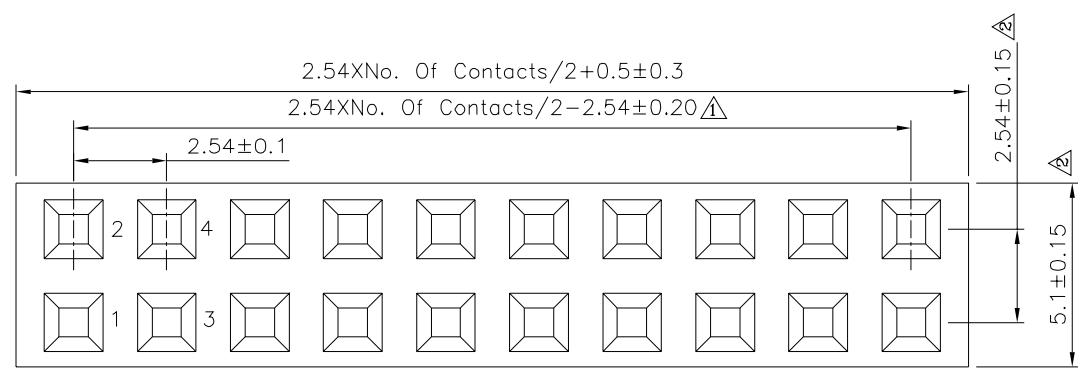
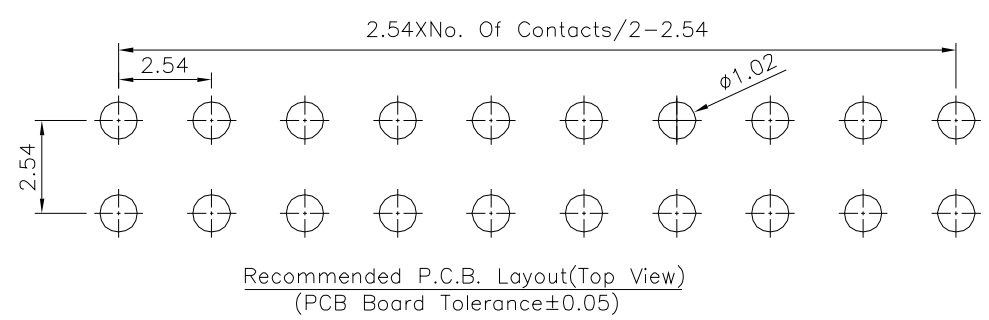


SPECIFICATION
 Current Rating:3 Amps
 ⚠ Withstanding Voltage:1000V AC
 Contact Resistance:20 Milliohms Max.
 Insulation Resistance:1000 Megaohms Min.
 Operation Temperature:-40°C~+105°C
 Housing:PA6T(UL94V-0),Black
 ⚠ Contact:Phosphor Bronze,Gold Flash Over Nickel
 RoHS Compliant



4UCON 元化興業股份有限公司
 4UCON TECHNOLOGY INC.

DRAWING No.		APPROVED BY		UNLESS OTHERWISE SPECIFIED TOLERANCES ARE X. ±0.25 X.* ±2" .X ±0.20 .X* ±1.5" .XX ±0.15 .XX* ±1" .XXX ±0.10 .XXX* ±0.5"			
12759		MEI			NO.	REV.	DATE
		CHECKED BY					
		HZF					
		DRAWING BY					
		CYP					
SCALE	NONE	REV.	A2	UNIT	mm		

NO.	REV.	REVISIONS	CHK	DATE
⚠ A2		Modify Data	HZF	08/13/2019
⚠ A1		Modify Data	HZF	04/21/2015
⚠ A0		NEW RELEASE	HZF	07/03/2013