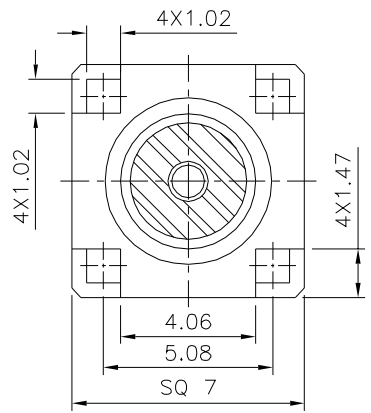
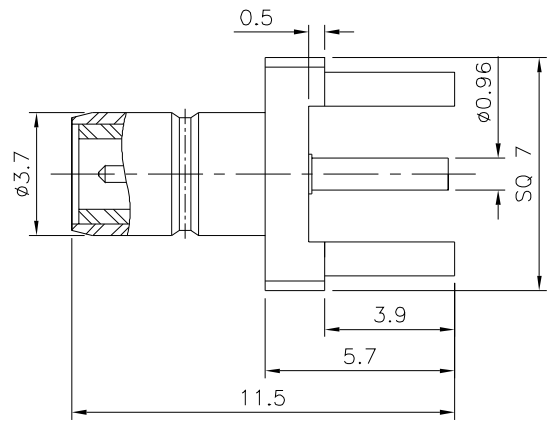


Recommended Mounting Holes



RoHS Compliant

No.	Description	Material	Q'ty	Finish
03	Center Pin	Brass	1	Gold Flash Over Nickel
02	Insulator	Teflon	1	—————
01	Body	Brass	1	Gold Flash Over Nickel

4UCON 元化興業股份有限公司
4UCON TECHNOLOGY INC.

DRAWING No.
10794

APPROVED BY MEI
CHECKED BY HZF
DRAWING BY GAO

UNLESS OTHERWISE SPECIFIED TOLERANCES ARE
X. ±0.2
.X ±0.2
.XX ±0.2

SCALE NONE REV. A0

UNIT mm

NO.	REV.	REVISIONS	CHK	DATE
△ A0		NEW RELEASE	HZF	11/24/2012