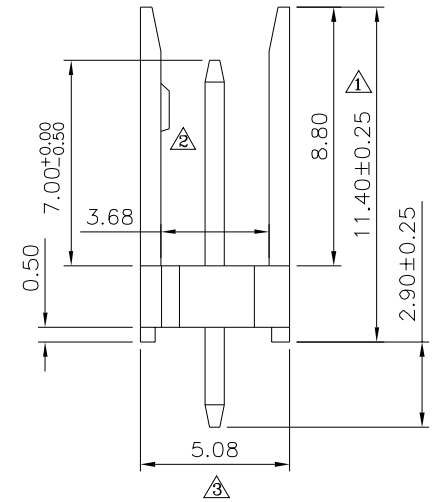
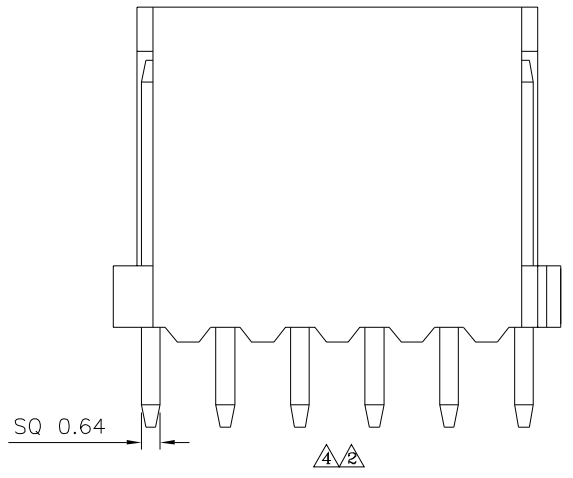
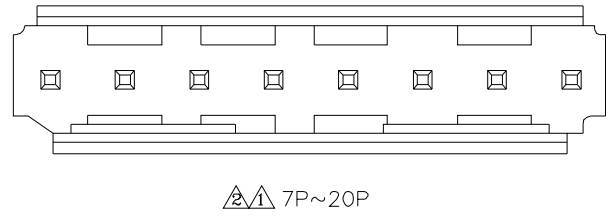
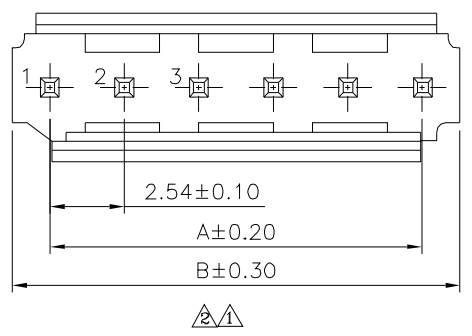


△ SPECIFICATION
 △ Voltage Rating:250V
 Current Rating:3A
 Withstand Voltage:1000V AC/Minute
 Contact Resistance:20 Milliohms Max.
 Insulation Resistance:1000 Megaohms Min.
 Operation Temperature:-25°C~+85°C
 Insulator:PA66(UL94V-0),Black
 Contact:Brass,Tin Plated Over Nickel
 RoHS Compliant



Pin	A	B
02	2.54	5.08
03	5.08	7.62
04	7.62	10.16
05	10.16	12.70
06	12.70	15.24
07	15.24	17.78
08	17.78	20.32
09	20.32	22.86
10	22.86	25.40
11	25.40	27.94
12	27.94	30.48
13	30.48	33.02
14	33.02	35.56
15	35.56	38.10
16	38.10	40.64
17	40.64	43.18
18	43.18	45.72
19	45.72	48.26
20	48.26	50.80

4UCON 元化興業股份有限公司
4UCON TECHNOLOGY INC.

DRAWING No. 08354
 APPROVED BY MEI
 CHECKED BY HZF
 DRAWING BY CYP
 SCALE NONE REV. A4
 UNIT mm

NO.	REV.	REVISIONS	CHK	DATE
△A4		Modify Data	HZF	03/09/2018
△A3		Modify Data	HZF	07/17/2014
△A2		Modify Data	HZF	05/25/2013
△A1		Modify Data	HZF	03/26/2012
△A0		NEW RELEASE	HZF	08/01/2011

UNLESS OTHERWISE SPECIFIED TOLERANCES ARE
 .X ±0.40
 .XX ±0.25
 .XXX ±0.15
 ANG. ±3°