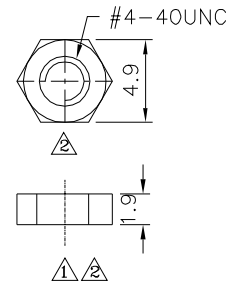
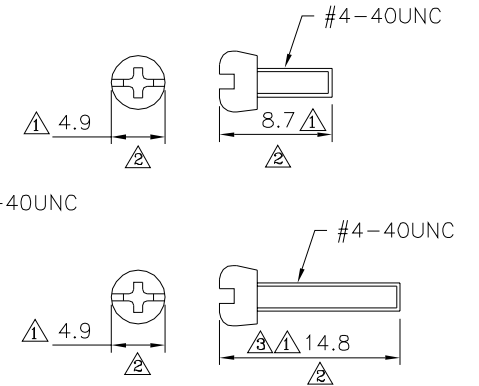
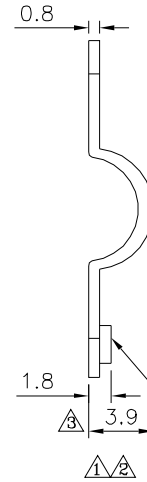
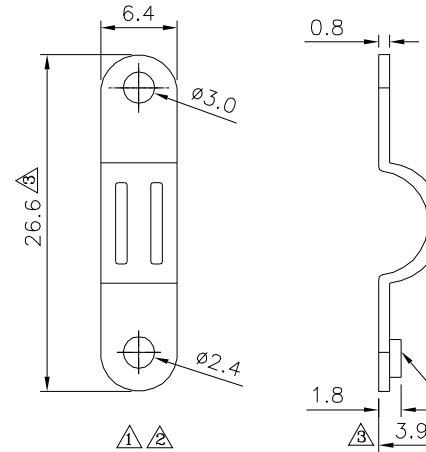
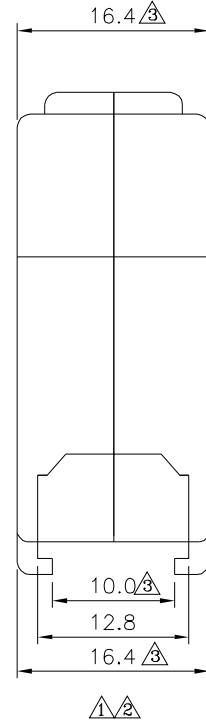
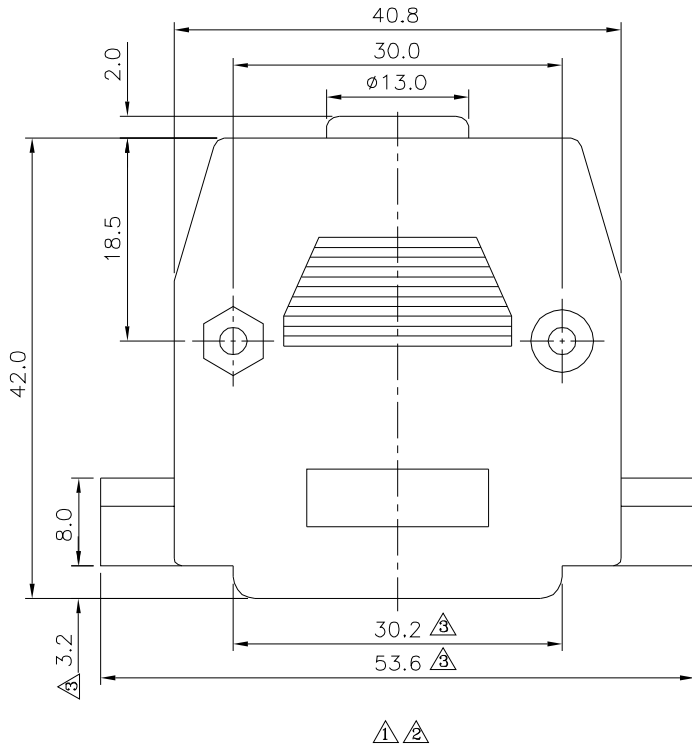
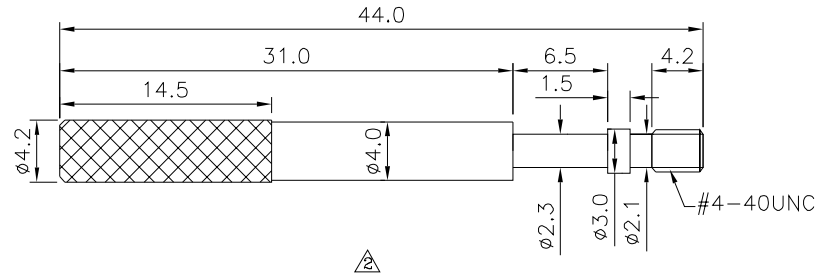
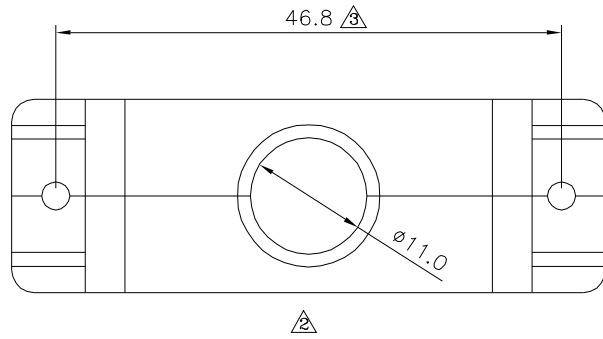


**SPECIFICATION**  
 Insulator:ABS(UL94HB),Chromate Plated  
 Screw,Nut&SR:Steel,Nickel Plated  
 Packing:One Bag/Set  
 RoHS Compliant



**4UCON** 元化興業股份有限公司  
 4UCON TECHNOLOGY INC.

DRAWING No.

03152

APPROVED BY

MEI

CHECKED BY

HZF

DRAWING BY

HAO

UNLESS OTHERWISE SPECIFIED TOLERANCES ARE  
 X. ±0.3   
 .X ±0.3   
 .XX ±0.2   
 ANG. ±5°

UNIT mm

SCALE NONE

REV. A3

NO.	REV.	REVISIONS	CHK	DATE
	A3	Modify Data	HZF	07/25/2018
	A2	Modify Data	HZF	09/25/2014
	A1	Modify Data	HZF	01/12/2010
	A0	NEW RELEASE	HZF	05/07/2008