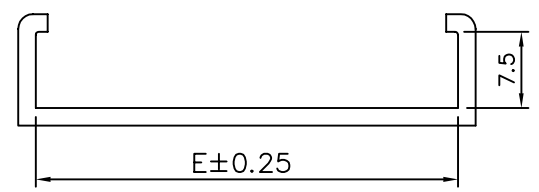


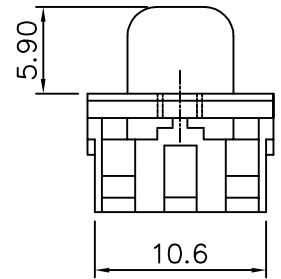
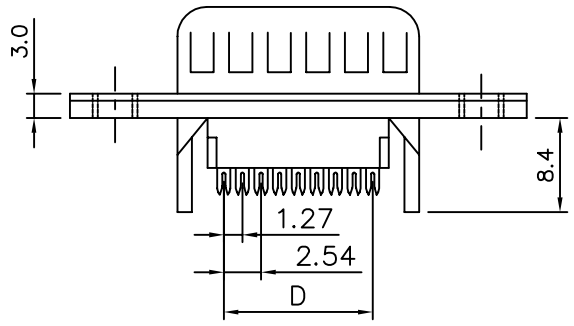
Middle Cover

**SPECIFICATIONS**

Current Rating : 1 AMP  
 Dielectric Withstanding Voltage :  
 AC 500V For 1 Minute  
 Contact Resistance : 30 Milliohms Max.  
 At DC 100mA  
 Insulator Resistance : 1000Megohms Min.  
 At DC 500V  
 Operating Temperature : -55°C To +105°C  
 Single Contact Insertion Force : 500g Max.  
 Single Contact Withdrawal Force : 30g Min.  
 Contact : Phosphor Bronze, Tin Plated  
 Housing : PBT & 30% Glass Fiber UL 94V-0



Stainless Steel Strain Relief



| Circuits | A     | B     | C     | D     | E     |
|----------|-------|-------|-------|-------|-------|
| 09       | 16.92 | 24.99 | 31.16 | 10.16 | 16.40 |
| 15       | 25.50 | 33.32 | 39.42 | 17.78 | 24.40 |
| 25       | 38.96 | 47.04 | 53.34 | 30.48 | 38.80 |
| 37       | 55.45 | 63.50 | 69.68 | 45.72 | 55.00 |

**4UCON** 元化興業股份有限公司  
 4UCON TECHNOLOGY INC.

DRAWING No.  
 03025

APPROVED BY MEI  
 CHECKED BY RAN  
 DRAWING BY HZF

UNLESS OTHERWISE SPECIFIED TOLERANCES ARE  
 .X ±0.10  
 .XX ±0.05  
 .XXX

SCALE NONE

REV. A

UNIT mm

AREA REVISIONS CHK DATE