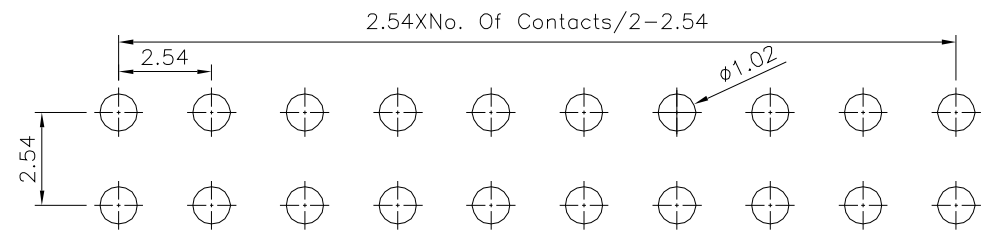
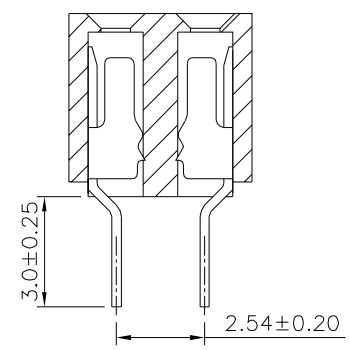
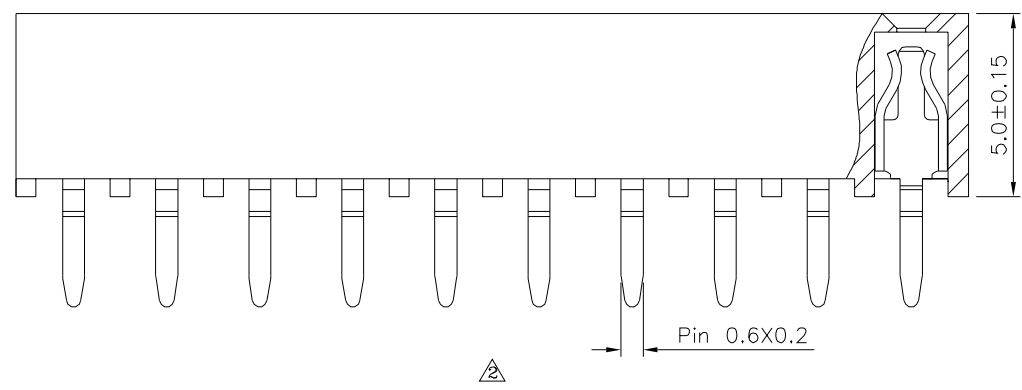
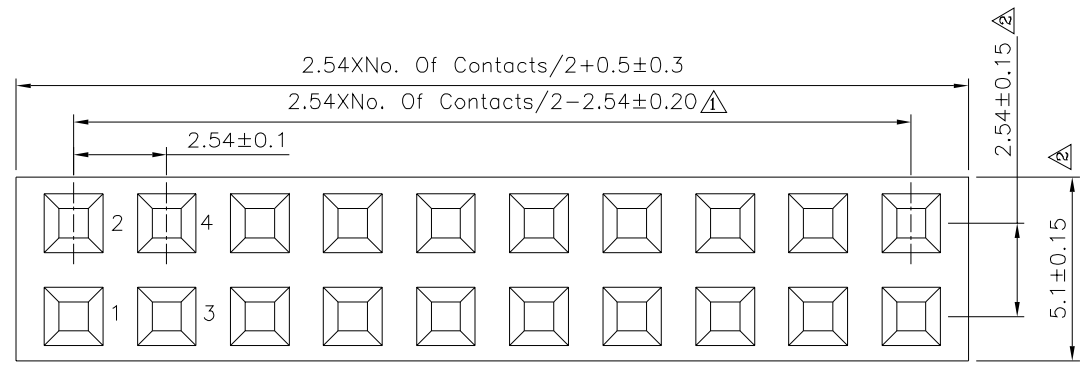


**SPECIFICATION**

- Current Rating:3 Amps
- ⚠ Withstanding Voltage:1000V AC
- Contact Resistance:20 Milliohms Max.
- Insulation Resistance:1000 Megaohms Min.
- Operation Temperature:-40°C~+105°C
- Housing:PA6T(UL94V-0),Black
- ⚠ Contact:Phosphor Bronze,Gold Flash Over Nickel
- RoHS Compliant



Recommended P.C.B. Layout(Top View)  
(PCB Board Tolerance $\pm 0.05$ )



**4UCON** 元化興業股份有限公司  
4UCON TECHNOLOGY INC.

DRAWING No.		APPROVED BY		UNLESS OTHERWISE SPECIFIED TOLERANCES ARE X. $\pm 0.25$ X.* $\pm 2^{\circ}$ .X $\pm 0.20$ .X* $\pm 1.5^{\circ}$ .XX $\pm 0.15$ .XX* $\pm 1^{\circ}$ .XXX $\pm 0.10$ .XXX* $\pm 0.5^{\circ}$
00730		MEI		
		CHECKED BY HZF		
		DRAWING BY CYP		
SCALE	NONE	REV.	A2	UNIT mm

NO.	REV.	REVISIONS	CHK	DATE
⚠ A2		Modify Data	HZF	08/13/2019
⚠ A1		Modify Data	HZF	04/21/2015
⚠ A0		NEW RELEASE	HZF	07/03/2013