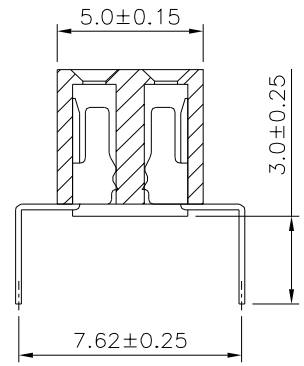
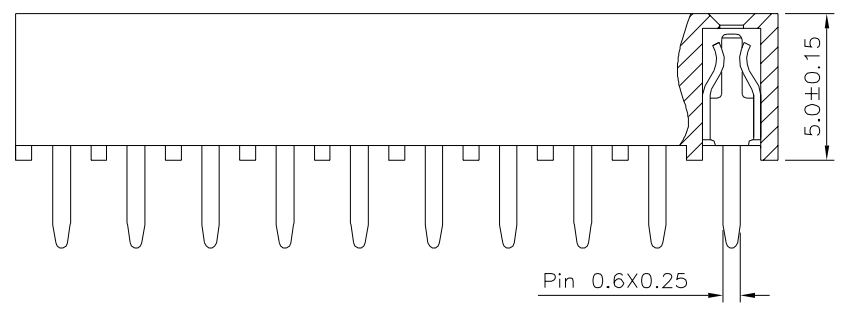
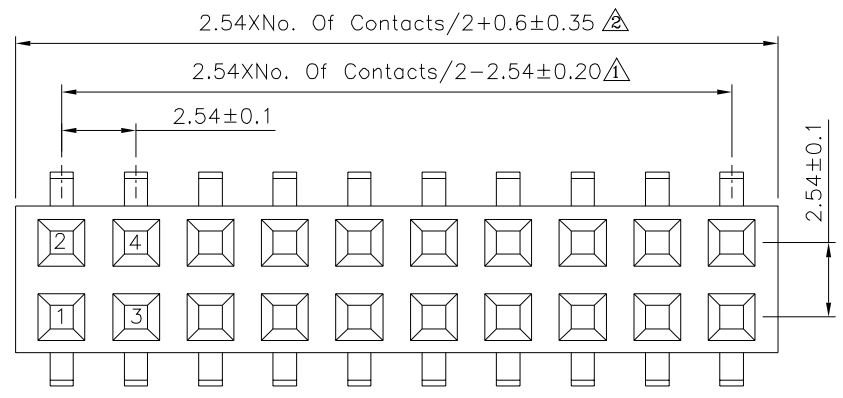


Recommended P.C.B. Layout(Top View)
(PCB Board Tolerance ±0.05)



SPECIFICATION

- Current Rating: 3 Amps
- Withstanding Voltage: 1000V AC Min./Minute
- Contact Resistance: 20 Milliohms Max.
- Insulation Resistance: 1000 Megaohms Min.
- Operating Temperature: -40°C ~ +105°C
- Insulator: PA6T(UL94V-0), Black
- Contact: Phosphor Bronze, Gold Flash Over Nickel
- RoHS Compliant

4UCON 元化興業股份有限公司
4UCON TECHNOLOGY INC.

DRAWING No.		APPROVED BY		UNLESS OTHERWISE SPECIFIED TOLERANCES ARE X. ±0.25 X.* ±2° .X ±0.20 .X* ±1.5° .XX ±0.15 .XX* ±1° .XXX ±0.10 .XXX* ±0.5°				
00695		MEI						
		CHECKED BY						
		HZF						
		DRAWING BY						
		CYP						
SCALE	NONE	REV.	A2	UNIT	mm			

NO.	REV.	REVISIONS	CHK	DATE
	A2	Modify Data	HZF	08/23/2019
	A1	Modify Data	HZF	05/09/2016
	A0	NEW RELEASE	HZF	03/18/2013