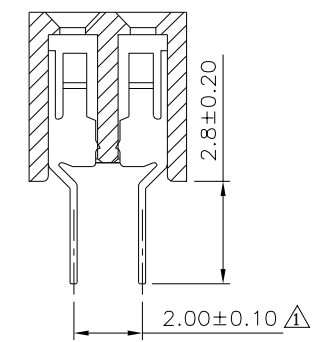
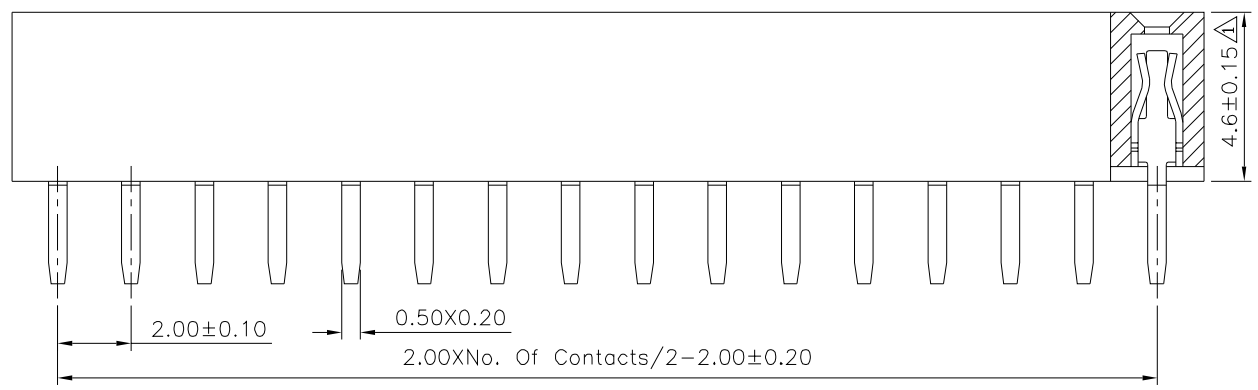
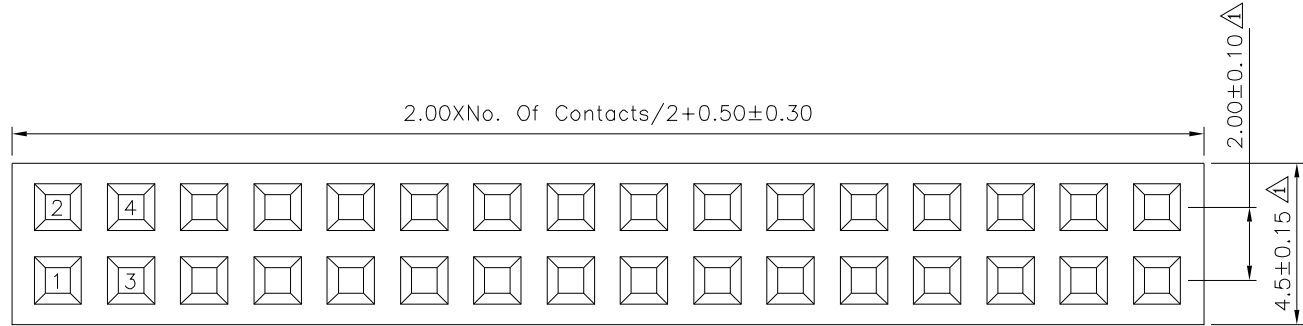


Recommended P.C.B. Layout

SPECIFICATION

Current Rating:1.5 Amp/Contact Max.
 Withstand Voltage:450V AC/Minute
 Contact Resistance:20 Milliohms Max./Contact
 Insulation Resistance:1000 Megaohms Min. At 100V
 Operation Temperature:-55°C~+105°C
 Contact:Phosphor Bronze,Gold Flash Over Nickel
 Insulator:PA6T+30%G.F.(UL94V-0),Black
 RoHS Compliant



4UCON 元化興業股份有限公司
 4UCON TECHNOLOGY INC.

DRAWING No.		APPROVED BY		UNLESS OTHERWISE SPECIFIED TOLERANCES ARE X. ± 0.50 .X ± 0.30 .XX ± 0.20 .XXX ± 0.10 ANG. $\pm 5^\circ$
00053		MEI		
		CHECKED BY		
		HZF		
		DRAWING BY		
		CYP		
SCALE	NONE	REV.	A1	UNIT
				mm

NO.	REV.	REVISIONS	CHK	DATE
△A1		Modify Data	HZF	02/24/2017
△A0		NEW RELEASE	HZF	04/14/2013