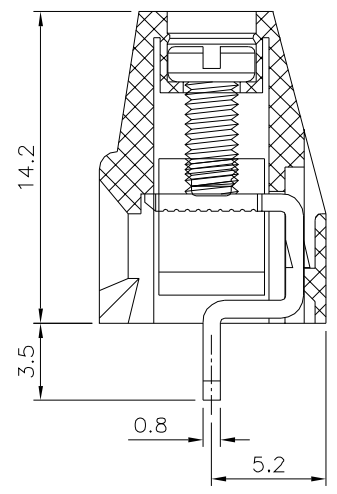
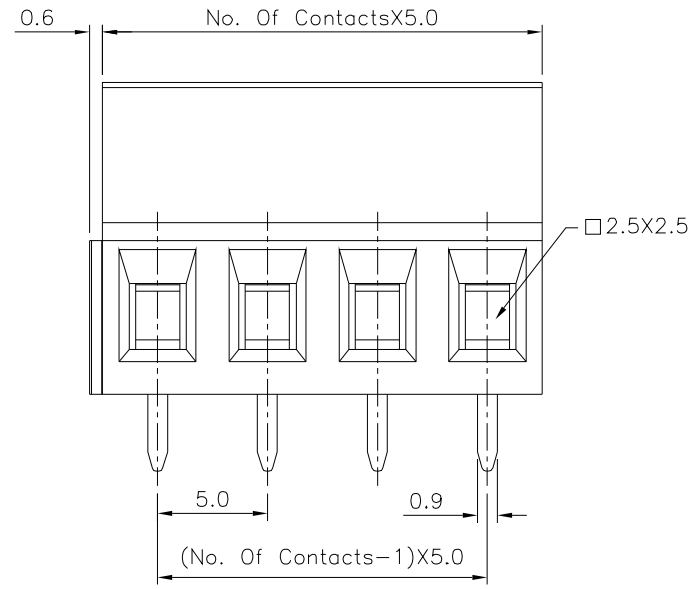


Recommended P.C.B. Layout

SPECIFICATION

Voltage Rating:300V AC
 Current Rating:16A/Way Max.
 Contact Resistance:20 Milliohms Max.
 Withstanding Voltage:2500V AC/Minute
 Wire Range:12~30 AWG
 Torque:4.5 Kgf.cm/M3.0
 Operation Temperature:-40°C~+105°C
 Contact:Copper Alloy,Nickel Plated
 Screw:Steel,Galvanized With Cr3+ Plated
 Solder Pin:Copper Alloy,Tin Plated
 Insulator:Polyamide(UL94V-0),Green
 RoHS Compliant



4UCON 元化興業股份有限公司
 4UCON TECHNOLOGY INC.

DRAWING No.		APPROVED BY		UNLESS OTHERWISE SPECIFIED TOLERANCES ARE X. ±0.50 .X ±0.30 .XX ±0.20 ANG. ±1°
22735		MEI		
		CHECKED BY		
HZF		DRAWING BY		
YBL		REV.		UNIT
SCALE	NONE	REV.	BO	mm

NO.	REV.	REVISIONS	CHK	DATE
	B0	Modify Data	HZF	10/24/2023
	B0	NEW RELEASE	HZF	10/24/2023