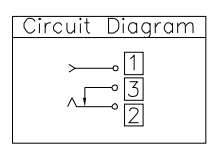
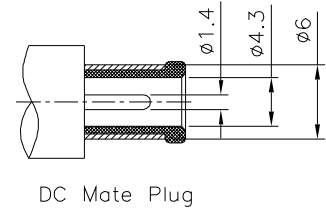
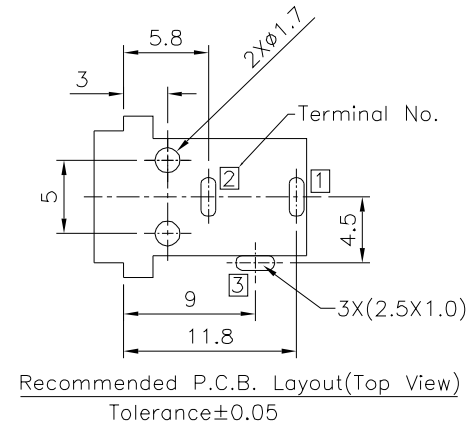
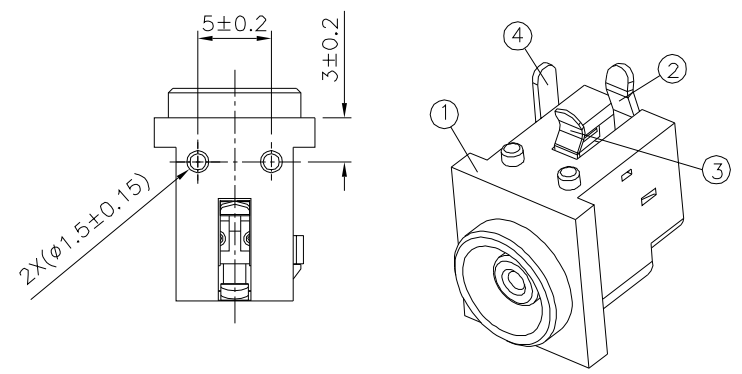
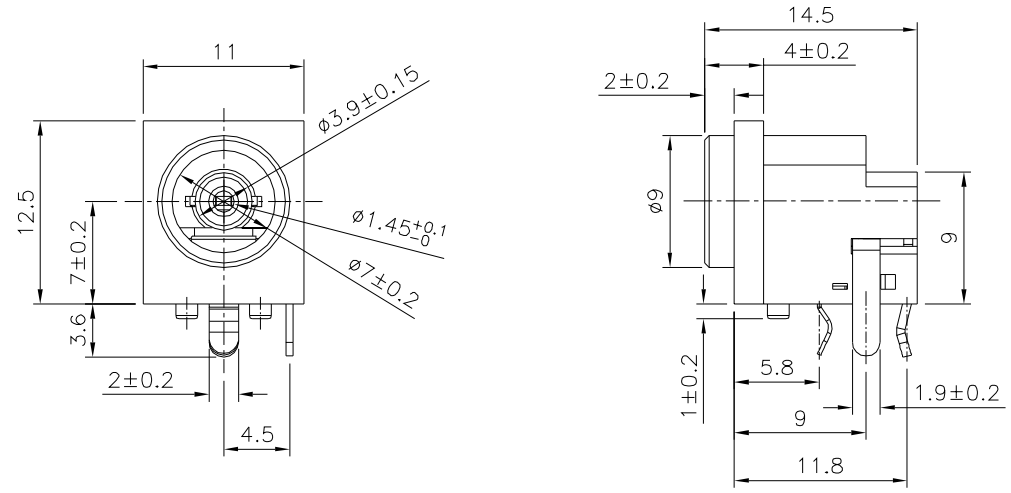


**SPECIFICATION**  
 Rating:DC 30V 2A  
 Withstand Voltage:500V AC  
 Insulation Resistance:100 Megaohms Min.  
 At 500V DC  
 After Test:50 Megaohms Min.  
 Contact Resistance:30 Milliohms Max.  
 After Test:50 Milliohms Max.  
 Operation Temperature:-20°C~+70°C  
 Storage Temperature:-40°C~+85°C  
 Insertion And Extraction Force:3N~30N  
 Durability:5000 Cycles Min.  
 RoHS Compliant



No.	Description	Q'ty	Material	Remark
①	Housing	1	PA66	Black
②	Center Pin	1	Phosphor Bronze	Silver Plated
③	Tin Spring	1	Phosphor Bronze	Silver Plated
④	Shunt Terminal	1	Brass	Silver Plated

**4UCON** 元化興業股份有限公司  
 4UCON TECHNOLOGY INC.

DRAWING No.		APPROVED BY		UNLESS OTHERWISE SPECIFIED TOLERANCES ARE X. ±0.3 .X ±0.3 ANG. ±2°
22561		EMILY		
		CHECKED BY		
		HZF		
		DRAWING BY		
		LZX		
SCALE	NONE	REV.	A0	UNIT mm

△ A0	NEW RELEASE	HZF	09/24/2021
NO.REV.	REVISIONS	CHK	DATE