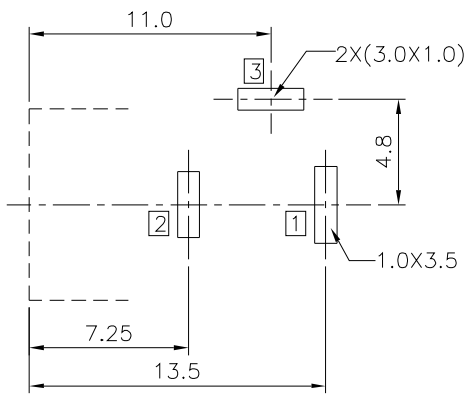
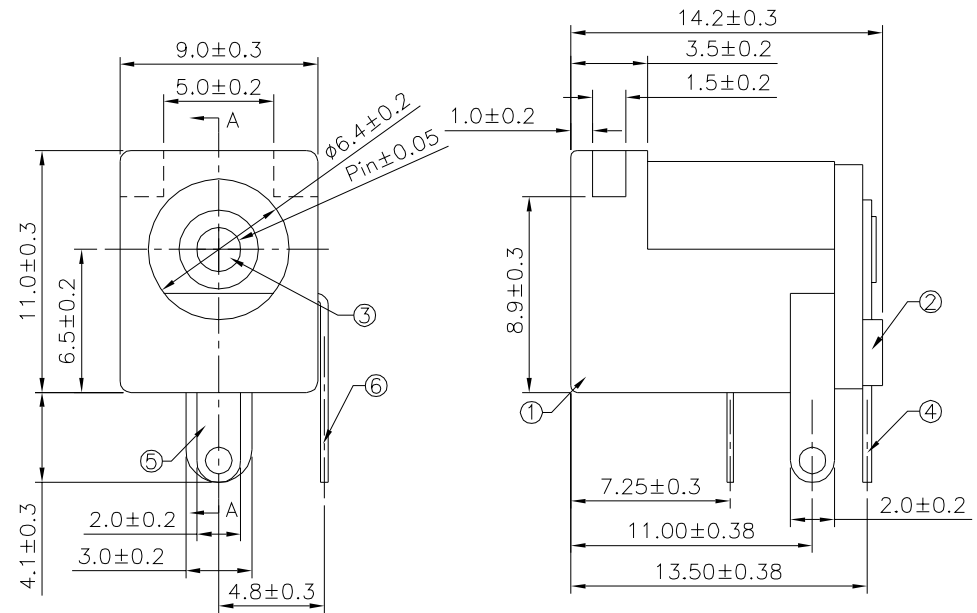
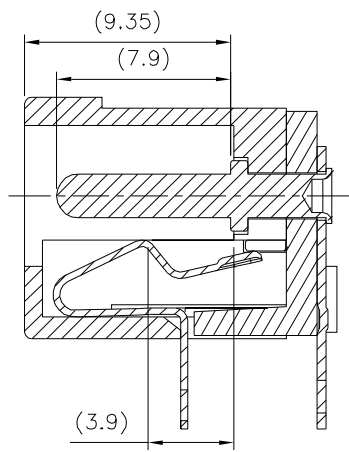


SPECIFICATION

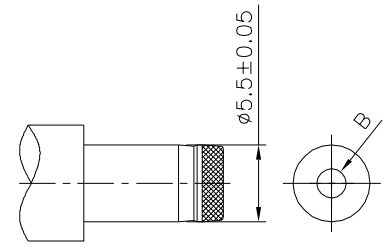
Rating:DC 48V 6.5A
 Contact Resistance:30 Milliohms Max.
 After Test 50 Milliohms Max.
 Insulation Resistance:100 Megaohms Min. (DC 500V)
 After Test:50 Megaohms Min.
 Withstand Voltage:500V AC
 Operation Temperature Range:-20°C~+70°C
 RoHS Compliant



Recommended P.C.B. Layout(Bottom View)
 (PCB Board Tolerance±0.05)



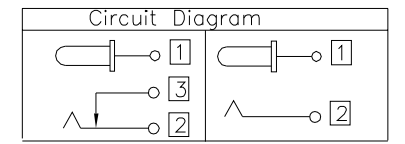
Section A-A



DC Mate Plug

Pin	φ2.0	φ2.5
B	φ2.05 ^{+0.10} _{-0.00}	φ2.55 ^{+0.10} _{-0.00}

Pin Diameter	Pin Option	Item No.
Pin φ2.0	3 Pin	18741
Pin φ2.5	3 Pin	20491
Pin φ2.0	2 Pin	22415



□: Terminal No. ○:Item No.

No.	Description	Q'ty	Material	Remark
⑥	Shunt Terminal	3	1 Brass	Tin Plated
⑤	Tip Spring	2	1 Phosphor Bronze	Tin Plated
④	Center Pin Terminal	1	1 Brass	Tin Plated
③	Center Pin	1	1 Brass	CuSn Plated
②	Cover	1	1 PBT	—
①	Housing	1	1 PBT	Black

4UCON 元化興業股份有限公司
 4UCON TECHNOLOGY INC.

DRAWING No. Δ
22415

APPROVED BY MEI
 CHECKED BY HZF
 DRAWING BY CYP
 REV. BO

UNLESS OTHERWISE SPECIFIED TOLERANCES ARE
 .X ±0.38 X.* ±5*
 .XX ±0.30 .X.* ±3*
 .XXX ±0.15 .XX.* ±2*
 UNIT mm

NO.	REV.	REVISIONS	CHK	DATE
Δ	BO	Modify Data	HZF	03/07/2022
Δ	BO	NEW RELEASE	HZF	03/07/2022