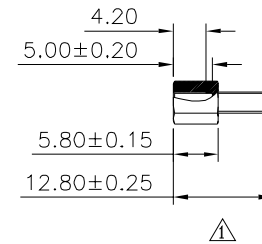
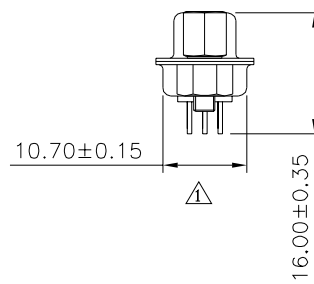
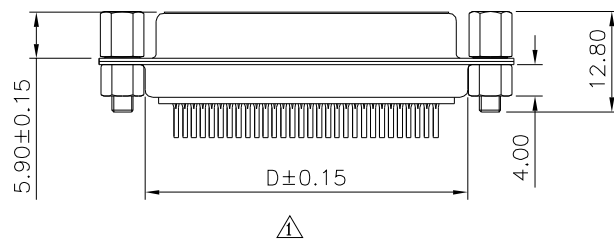
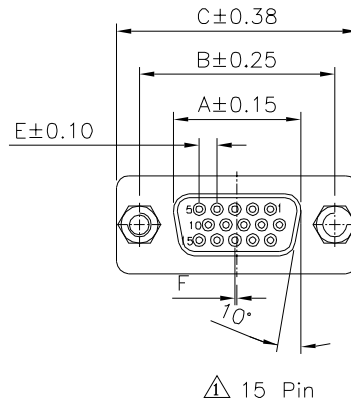
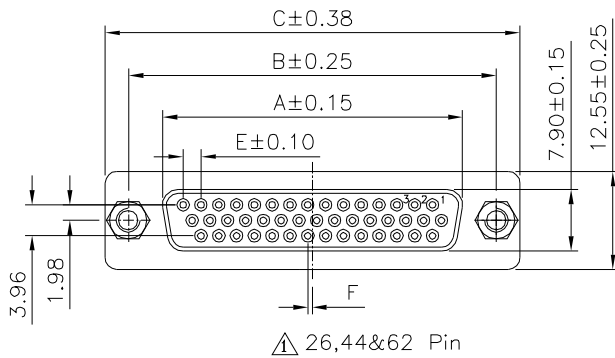
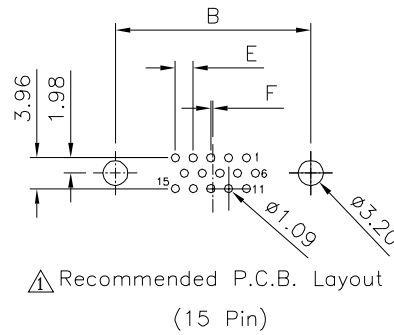
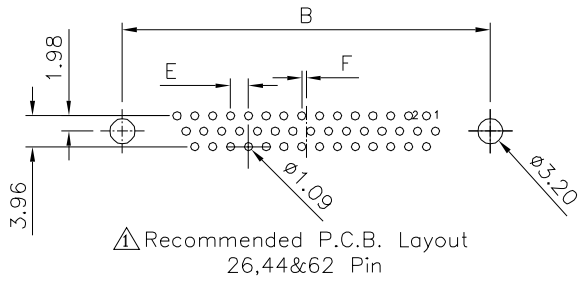


△ SPECIFICATION

Current Rating:1 Amps
 Withstanding Voltage:500V For One Minute
 Insulation Resistance:1000 Megaohms Min. At 500V DC
 Contact Resistance:30 Milliohms Max.
 Operating Temperature:-55°C ~ +105°C
 Contact:Brass,Gold Flash Over Nickel
 Insulator:PBT+30%G.F.(UL94V-0),Black
 Shell:Steel,Front Nickel After Tin Plated
 Screw:Steel,Nickel Plated
 Nut:Brass,Nickel Plated
 RoHS Compliant



Pin	A	B	C	D	E	F
15	16.33	24.99	30.81	19.20	2.29	0.25
26	24.80	33.32	39.20	27.70	2.29	0.50
44	38.38	47.04	53.04	41.10	2.29	0.50
62	54.84	63.50	69.40	57.30	2.41	0.50

4UCON 元化興業股份有限公司
4UCON TECHNOLOGY INC.

DRAWING No.△

22303

APPROVED BY

MEI

CHECKED BY

HZF

DRAWING BY

CYP

SCALE

NONE

REV.

A1

UNLESS OTHERWISE SPECIFIED TOLERANCES ARE △

.X ±0.38 .X* ±3*

.XX ±0.25 .XX* ±1*

.XXX ±0.10 .XXX* ±0.5*

UNIT

mm



△ A1

Modify Data

HZF

04/07/2022

△ A0

NEW RELEASE

SHIN

01/20/2007

NO.REV.

REVISIONS

CHK

DATE