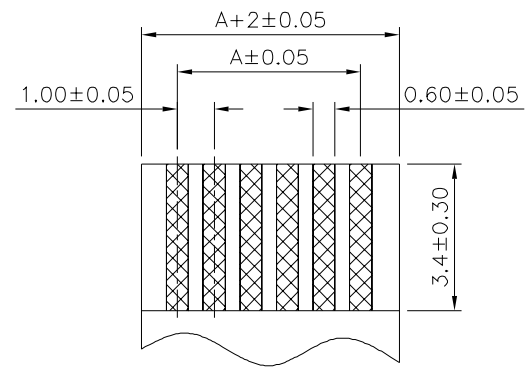


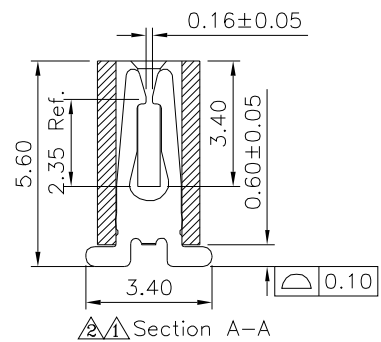
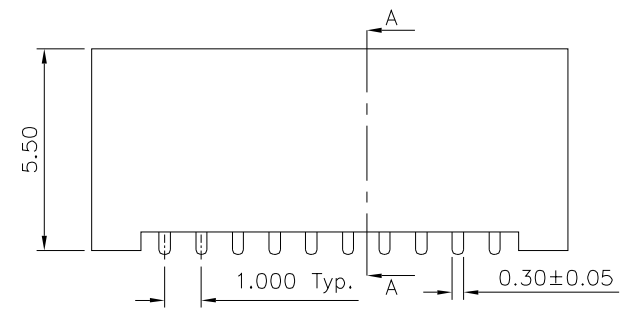
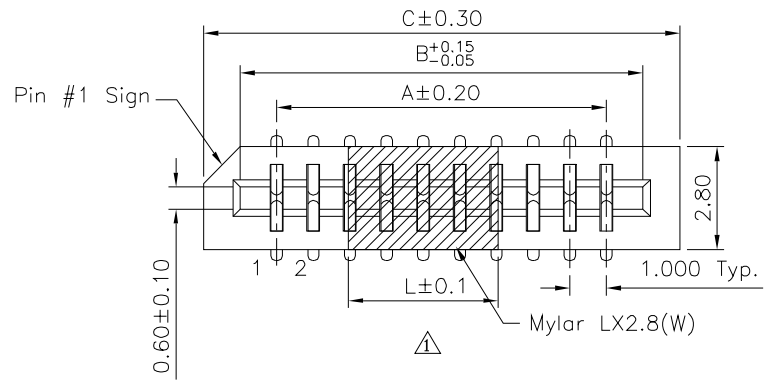
Recommended P.C.B. Layout  
PCB Tolerance ±0.05



FPC/FFC T=0.30±0.05

**SPECIFICATION**

- General Characteristics:**  
1.0mm FPC XXP SMT 180° Non-ZIF Dual Contact  
Parallel Layout With Mylar Tape & Reel 900 PCS/Reel
- Material&Finish:**  
Insulator:PA9T(UL94V-0),Black  
Contact:Phosphor Bronze,Tin Plated Over Nickel
- Electrical Characteristics:**  
Current Rating:0.5A Max.  
Voltage Rating:50V AC  
Dielectric Withstanding Voltage:500V AC For 1 Minute  
Contact Resistance:30 Milliohms Max.(Initial)  
50 Milliohms Max.(Final)  
Insulation Resistance:500 Megohms Min.(Initial)  
At 500V DC
- Environmental Characteristics:**  
Temperature Range:-20°C~+85°C
- RoHS Compliant**



Section A-A

Pin	A	B	C	L	Pin	A	B	C	L
3	2.00	4.10	6.00	4.0	17	16.00	18.10	20.00	12.0
4	3.00	5.10	7.00		18	17.00	19.10	21.00	
5	4.00	6.10	8.00		19	18.00	20.10	22.00	
6	5.00	7.10	9.00		20	19.00	21.10	23.00	
7	6.00	8.10	10.00	8.0	21	20.00	22.10	24.00	
8	7.00	9.10	11.00		22	21.00	23.10	25.00	
9	8.00	10.10	12.00		23	22.00	24.10	26.00	
10	9.00	11.10	13.00		24	23.00	25.10	27.00	
11	10.00	12.10	14.00	12.0	25	24.00	26.10	28.00	
12	11.00	13.10	15.00		26	25.00	27.10	29.00	
13	12.00	14.10	16.00		27	26.00	28.10	30.00	
14	13.00	15.10	17.00		28	27.00	29.10	31.00	
15	14.00	16.10	18.00	12.0	29	28.00	30.10	32.00	
16	15.00	17.10	19.00		30	29.00	31.10	33.00	

**4UCON** 元化興業股份有限公司  
4UCON TECHNOLOGY INC.

DRAWING No. $\Delta$		APPROVED BY		UNLESS OTHERWISE SPECIFIED TOLERANCES ARE X. ±0.40 .X ±0.30 .XX ±0.20 .XXX ±0.10
21892		MEI		
		CHECKED BY		
HZF		DRAWING BY		
CYP		A2		UNIT mm
SCALE	NONE	REV.	A2	

$\Delta$ A2	Modify Data		HZF	09/15/2017
$\Delta$ A1	Modify Data		HZF	05/20/2016
$\Delta$ A0	NEW RELEASE		HZF	05/23/2009
NO.REV.	REVISIONS	CHK	DATE	