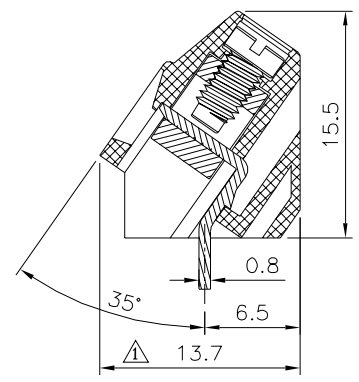
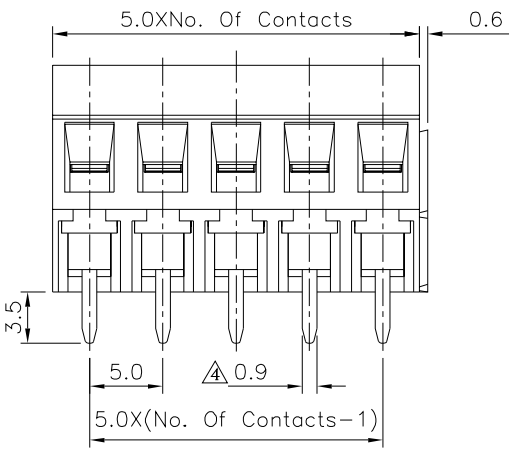


Recommended P.C.B. Layout

△△ SPECIFICATION

Current Rating:10 Amps/Way Max.
 Voltage Rating:250V AC
 Contact Resistance:20 Milliohms Max.
 Withstanding Voltage:2500V AC(1 Minute)
 Test Time=60s/1 PCS
 Wire Range:12~26 AWG
 Operation Temperature:-40°C~+105°C
 Soldering Reliability:250°C±10°C/5 Seconds Max.
 Torque:4.0 Kgf.cm/M2.5
 Contact(Metal Housing):Copper Alloy,Nickel Plated
 Terminal Screw:Steel,Galvanized With Cr3+ Plated
 Solder Pin:Copper Alloy,Tin Plated
 Insulator Body(Housing):Polyamide(UL94V-0),Blue
 RoHS Compliant



4UCON 元化興業股份有限公司
 4UCON TECHNOLOGY INC.

DRAWING No.		APPROVED BY		UNLESS OTHERWISE SPECIFIED TOLERANCES ARE X. ±0.50 .X ±0.30 .XX ±0.20 ANG. ±1°
21631		MEI		
		CHECKED BY	HZF	
SCALE	NONE	DRAWING BY	CYP	UNIT
		REV.	A4	mm

△ A4	Modify Data	HZF	11/24/2016
△ A3	Modify Data	HZF	06/03/2013
△ A2	Modify Data	HZF	01/24/2011
△ A1	Modify Data	HZF	06/11/2010
△ A0	NEW RELEASE	HZF	11/28/2009
NO. REV.	REVISIONS	CHK	DATE