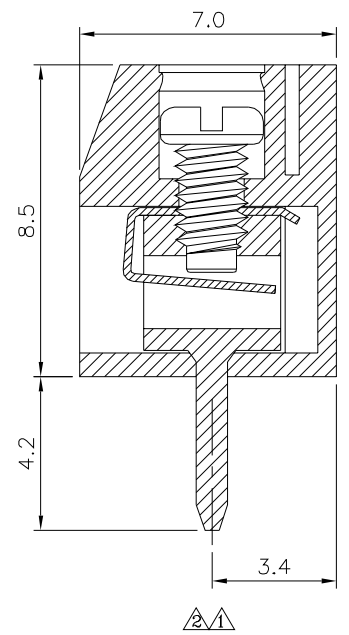
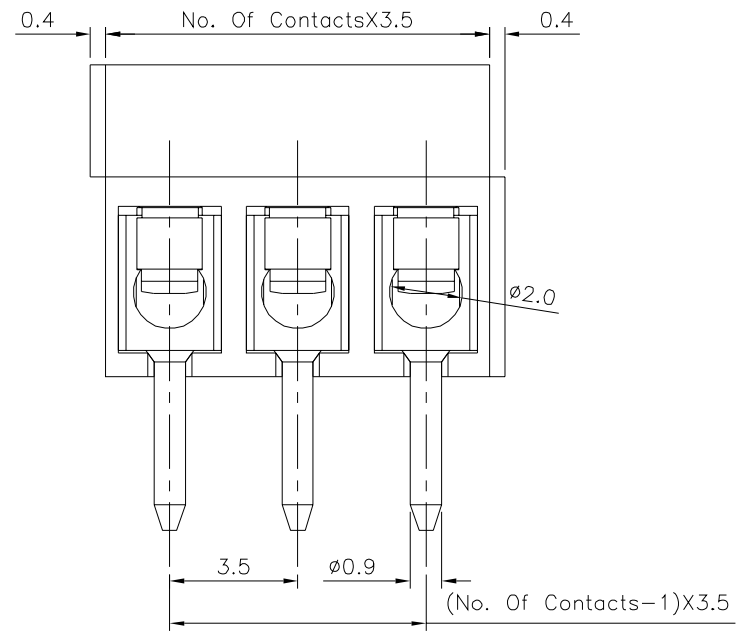


Recommended P.C.B. Layout

**SPECIFICATION**

Current Rating: 10 Amp/Way Max.  
 Voltage Rating: 150V AC  
 Withstanding Voltage: 2000V AC/Minute  
 Test Time=60 Seconds/Pcs  
 Contact Resistance: 20 Milliohms Max.  
 Wire Range: 16~30AWG  
 Torque: 2.0 Kgf.cm/M2  
 Operation Temperature: -40°C~+105°C  
 Soldering Reliability: Test Temperature=250°C±10°C  
 5 Seconds Max.  
 Terminal: Copper Alloy, Tin Plated  
 Screw: Steel, Galvanized And With Cr3+ Plated  
 Wire Guard: Stainless Steel  
 Insulator: Polyamide(UL94V-0), Blue  
 RoHS Compliant



**4UCON** 元化興業股份有限公司  
 4UCON TECHNOLOGY INC.

DRAWING No.		APPROVED BY		UNLESS OTHERWISE SPECIFIED TOLERANCES ARE X. ±0.50 .X ±0.30 .XX ±0.20 ANG. ±1°
21358		MEI		
		CHECKED BY	HZF	
SCALE		REV.	A3	UNIT
NONE				mm

NO.	REV.	REVISIONS	CHK	DATE
3	A3	Modify Data	HZF	04/05/2017
2	A2	Modify Data	HZF	09/15/2014
1	A1	Modify Data	HZF	05/19/2011
0	A0	NEW RELEASE	HZF	03/08/2010