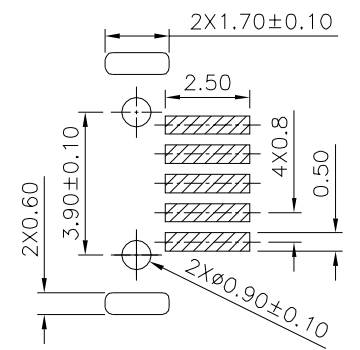
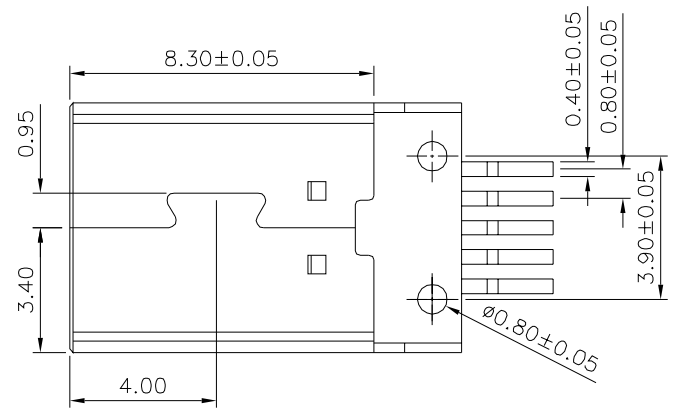
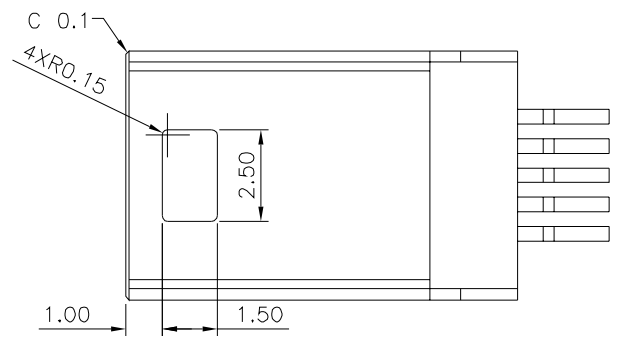
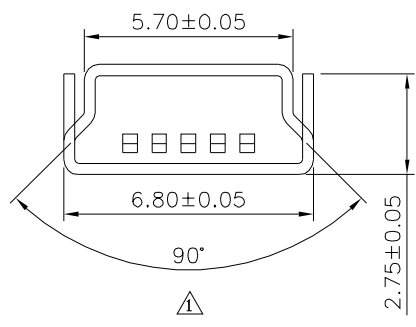
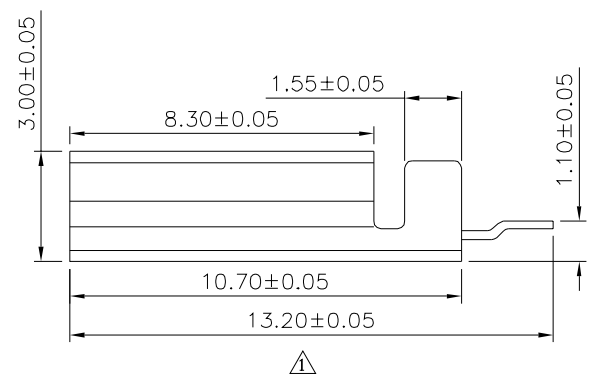


SPECIFICATION

Voltage Current Rating:1.5 Amp. 30V AC
 Withstand Voltage:500V AC
 Contact Resistance:30 Milliohms Max.
 Insulation Resistance:1000 Megaohms Min.
 Temperature Range:-35°C~+85°C
 Mating Force:3.5KG Max.
 Unmating Force:1.0KG Min.
 Housing:LCP(UL94V-0),Black
 Contact:C2680R-H,Gold Flash On Contact Area,
 Tin Plated On Solder Tails,Over Nickel
 Shell:Steel,Nickel Plated
 RoHS Compliant



Recommended P.C.B. Layout



4UCON 元化興業股份有限公司
 4UCON TECHNOLOGY INC.

DRAWING No.		APPROVED BY		UNLESS OTHERWISE SPECIFIED TOLERANCES ARE X. ±0.25 X.* ±5° .X ±0.20 .X* ±2° .XX ±0.15 .XX* ±1° .XXX ±0.10 .XXX* ±0.5°
20478		MEI		
		CHECKED BY		
		HZF		
		DRAWING BY		
		CYP		
SCALE	NONE	REV.	A1	UNIT
				mm

NO.	REV.	REVISIONS	CHK	DATE
△	A1	Modify Data	HZF	04/18/2018
△	A0	NEW RELEASE	HZF	09/26/2017