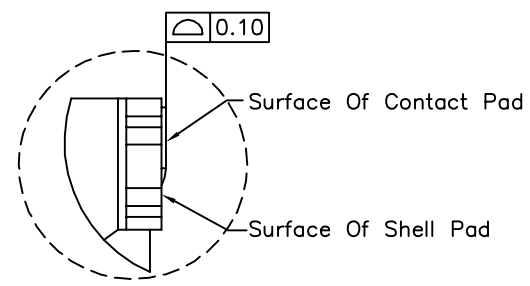
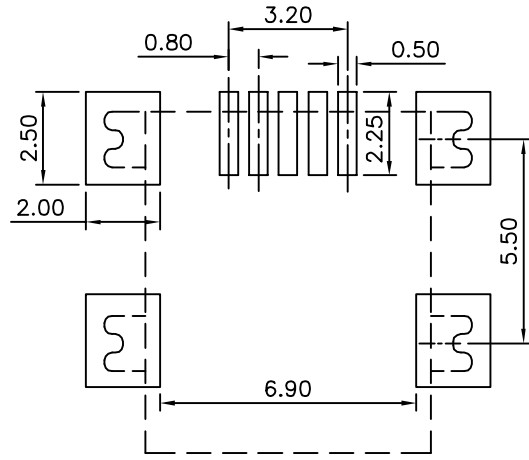
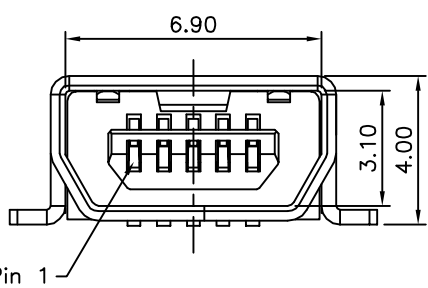
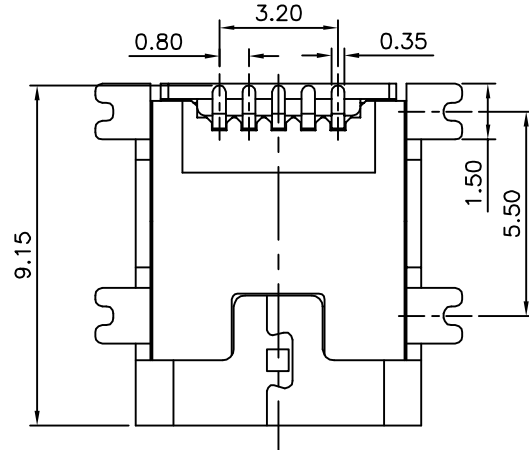
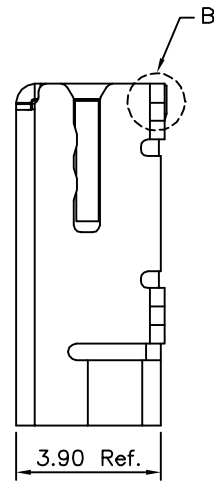
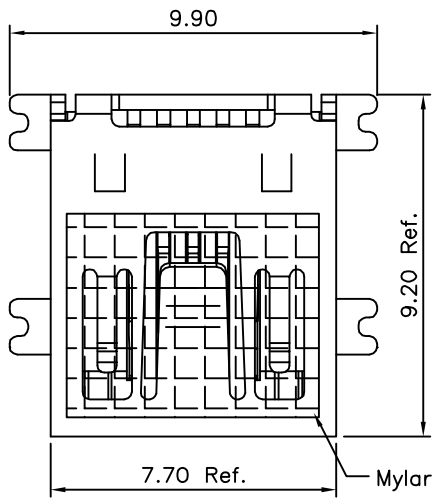


SPECIFICATION

Current Rating:1A Max.
 Withstanding Voltage:100V AC For 1 Minute
 Contact Resistance:50 Milliohms Max.
 Insulation Resistance:100 Megaohms Min.
 Temperature Range:-55°C~+85°C
 Total Mating Force:3.57 Kgf Max.
 Total Unmating Force:0.7 Kgf Min.
 After Durability 5000 Cycles,0.3 Kgf Min.
 Contact:C5191-EH
 Gold Flash On Contact Area,
 Tin Plated On Solder Tails,Over Nickel
 Shell:C2680R-H,Nickel Plated Over All
 Insulator:LCP+30%G.F.(UL94V-0),Black
 ▲Mylar:Polyimide Tape
 RoHS Compliant



Recommended PCB Layout

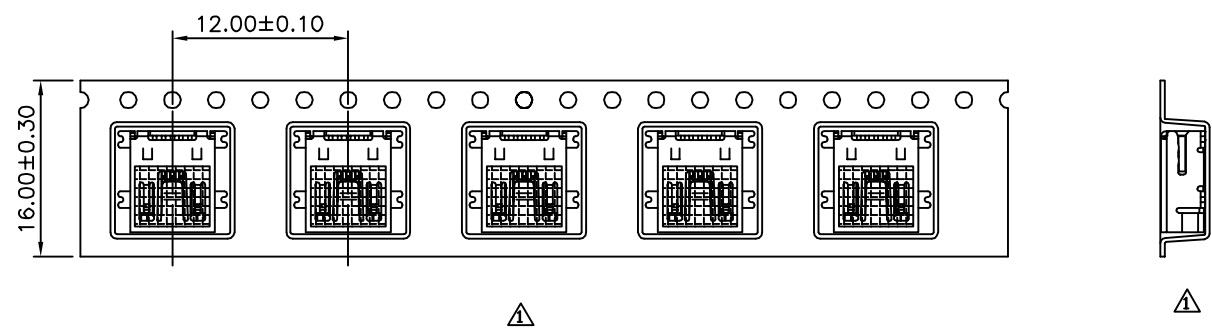
▲ Detail B

4UCON 元化興業股份有限公司
 4UCON TECHNOLOGY INC.

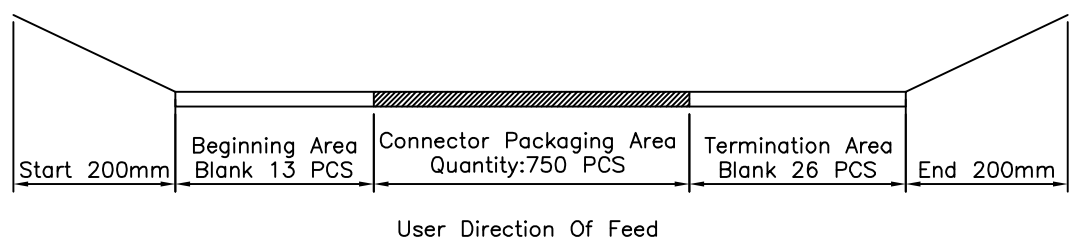
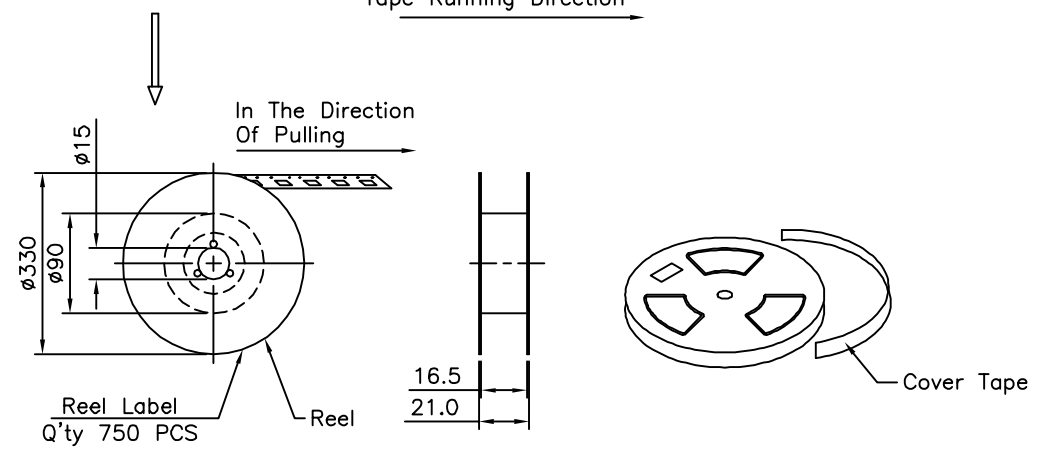
DRAWING No.		APPROVED BY		UNLESS OTHERWISE SPECIFIED TOLERANCES ARE
19741		MEI		
		CHECKED BY		
		HZF		
		DRAWING BY		.X ±0.38 .X* ±2.0°
		GAO		.XX ±0.25 .XX* ±1.0°
				.XXX ±0.13 .XXX* ±0.5°
SCALE	NONE	REV.	A1	UNIT
				mm

NO.	REV.	REVISIONS	CHK	DATE
▲A1		Modify Data	HZF	09/08/2012
▲A0		NEW RELEASE	HZF	09/25/2009

SPECIFICATION
 Q'ty:750 PCS/Reel
 RoHS Compliant



Tape Running Direction →



4UCON 元化興業股份有限公司
 4UCON TECHNOLOGY INC.

DRAWING No.		APPROVED BY		UNLESS OTHERWISE SPECIFIED TOLERANCES ARE .X ±0.38 .XX ±0.25 ANG.
19741		MEI		
		CHECKED BY		
		HZF		
		DRAWING BY		UNIT mm
		GAO		
SCALE	NONE	REV.	A1	☉

NO.	REV.	REVISIONS	CHK	DATE
△A1		Modify Data	HZF	09/08/2012
△A0		NEW RELEASE	HZF	09/25/2009