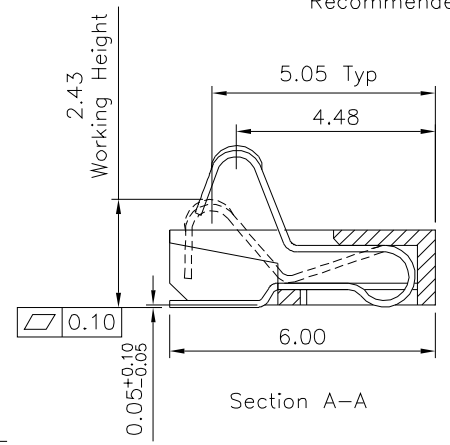
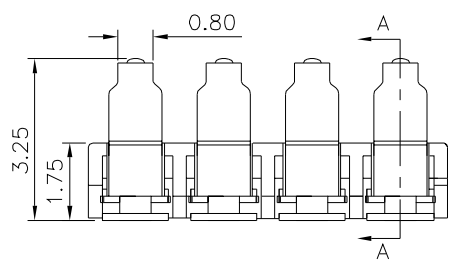
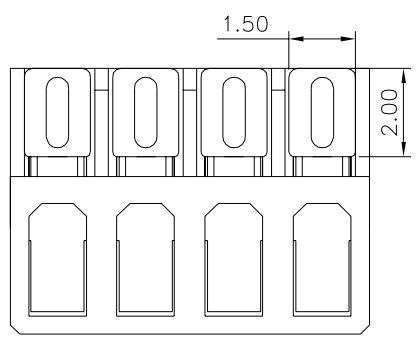
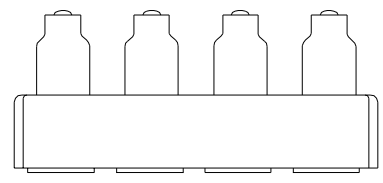


Recommended P.C.B. Layout



Section A-A



SPECIFICATION

1. **Material&Finish**
 Insulator:LCP(UL94V-0),Black
 Contact:Phosphor Bronze,Gold Plated Over Nickel
2. **Electrical Characteristics**
 Current Rating:2.0A Min.
 Voltage Rating:250V AC Min.
 Contact Resistance:30 Milliohms Max.
 Insulation Resistance:500 Megaohms Min.
 Withstand Voltage:500V AC For 1 Minute Min.
3. **Mechanical Characteristics**
 Durability:5000 Cycles
 Normal Force At Mated Position:80g Min.
4. **Environmental Characteristics**
 Operation Temperature: -55°C~+125°C
5. **RoHS Compliant**

4UCON 元化興業股份有限公司
 4UCON TECHNOLOGY INC.

DRAWING No.		APPROVED BY		UNLESS OTHERWISE SPECIFIED TOLERANCES ARE .X ±0.25 .XX ±0.20 ANG. ±3°
19035		MEI		
		CHECKED BY HZF		
		DRAWING BY CYP		
SCALE	NONE	REV.	B0	UNIT mm

NO.	REV.	REVISIONS	CHK	DATE
△ B0		NEW RELEASE	HZF	07/18/2024