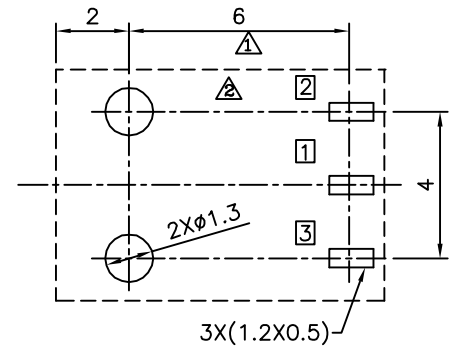
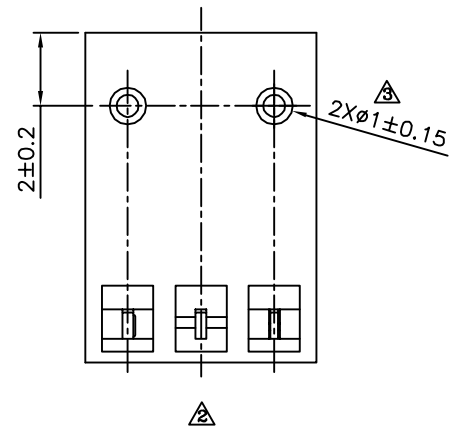
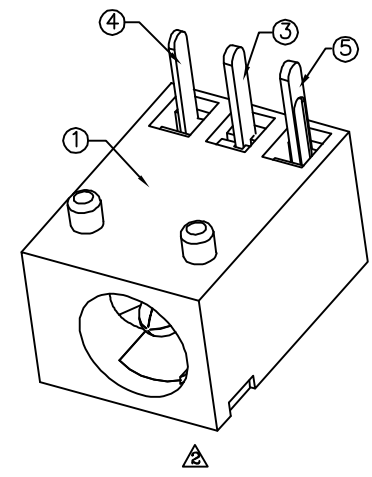
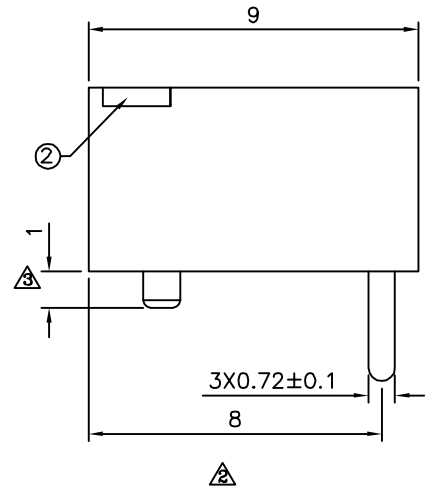
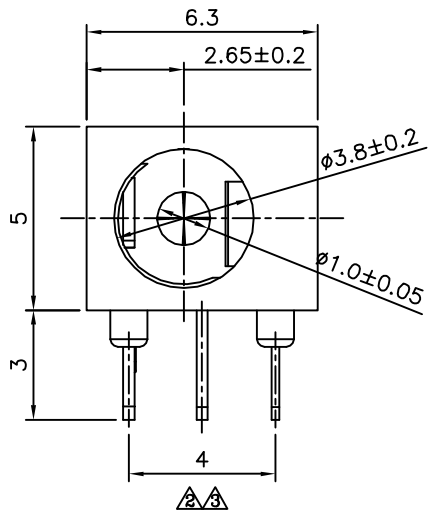
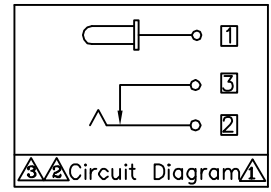


3/2 SPECIFICATION

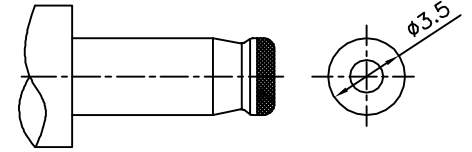
Rating:DC 20V 2A
 Withstand Voltage:500V AC
 Contact Resistance:50 Milliohms Max.
 After Test:100 Milliohms Max.
 Insulation Resistance:100 Megaohms Min.(DC 500V)
 After Test:50 Megaohms Min.
 Operation Temperature Range:-20°C~+70°C
 Preservative Temperature Range:-40°C~+85°C
 Insertion And Extraction Force:3~30N
 Life Test:5000 Cycles Min.
 RoHS Compliant



Recommended P.C.B. Layout(Bottom View)
 (PCB Board Tolerance±0.05)



□:Terminal No.



DC Mate Plug

No.	Description	Q'ty	Material	Remark
5	Shunt Terminal	1	Brass	
4	Tip Spring	1	Stainless Steel	
3	Center Pin	1	Brass	
2	Cover	1	PA66	
1	Housing	1	PA66	

4UCON 元化興業股份有限公司
 4UCON TECHNOLOGY INC.

DRAWING No.		APPROVED BY		UNLESS OTHERWISE SPECIFIED TOLERANCES ARE X. ±0.3 .X ±0.3 .XX ±0.3 ANG. ±2°
18505		MEI		
		CHECKED BY	HZF	
		DRAWING BY	WSS	
SCALE	NONE	REV.	A3	UNIT mm

NO.	REV.	REVISIONS	CHK	DATE
A3		Modify Data	HZF	12/19/2011
A2		Modify Data	HZF	05/12/2010
A1		Change Material	HZF	16/18/2008
A0		NEW RELEASE	BECKY	01/05/2005