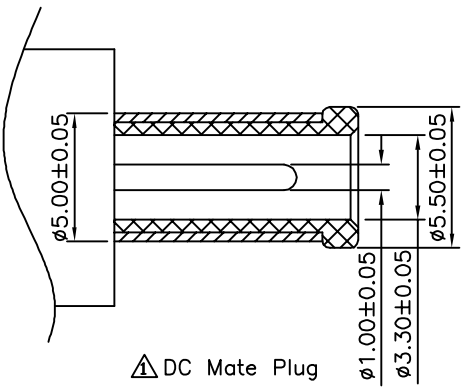
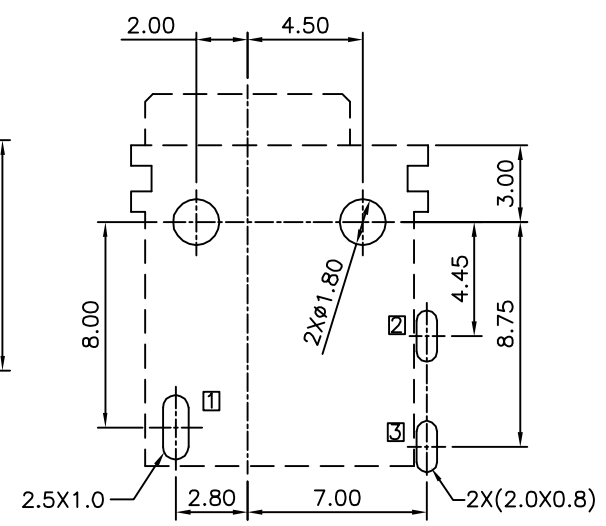
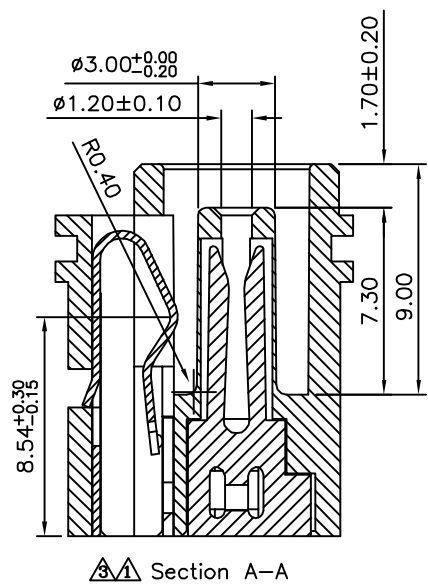
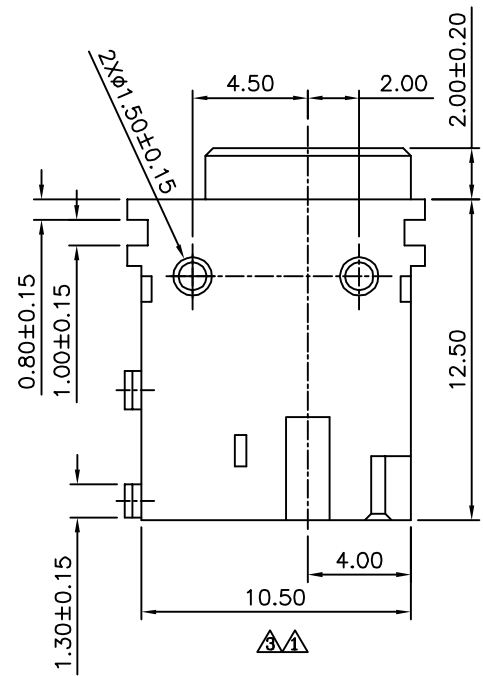
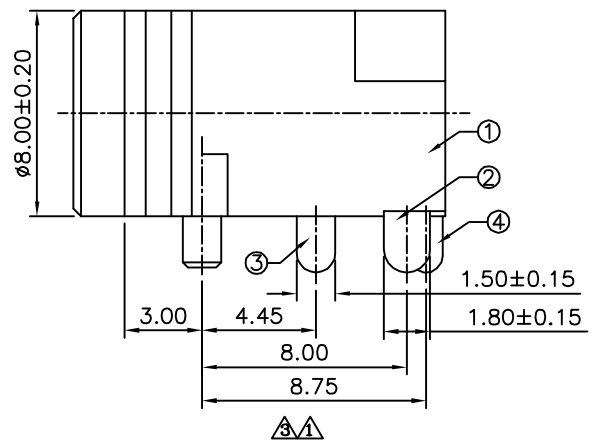
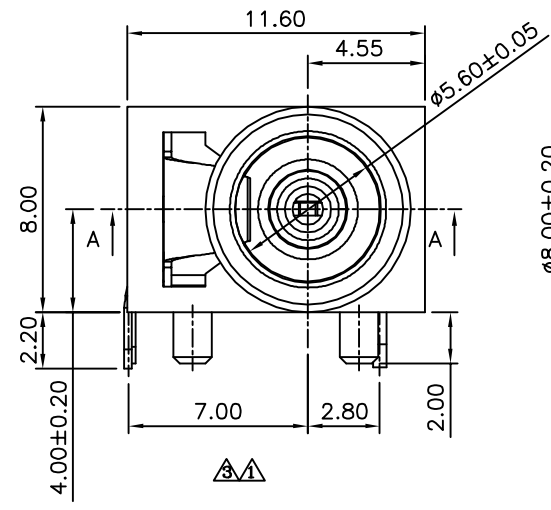
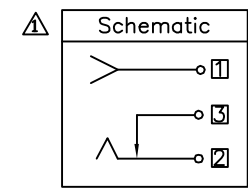


△ SPECIFICATION

△ Rating:DC 24V 4A  
 Withstand Voltage:500V AC  
 Contact Resistance:30 Milliohms Max.  
 After Test:50 Milliohms Max.  
 Insulation Resistance:100 Megaohms Min.(DC 500V)  
 After Test:50 Megaohms Min.  
 Insertion And Extraction Force:3~30N  
 Life Test:5000 Cycles Min.  
 Operation Temperature Range:-20°C~+70°C  
 Preservative Temperature Range:-40°C~+85°C  
 RoHS Compliant



△△ Recommended P.C.B. Layout(Top View)  
 (PCB Board Tolerance±0.05)

④	Shunt Terminal	③	1	Brass	Tin Plated
③	Tip Spring	②	1	Phosphor Bronze	Tin Plated
②	Center Pin	①	1	Phosphor Bronze	Tin Plated
①	Housing		1	PA9T	Black
No.	Description	Q'ty	Material	Remark	

**4UCON** 元化興業股份有限公司  
 4UCON TECHNOLOGY INC.

DRAWING No.		APPROVED BY		UNLESS OTHERWISE SPECIFIED TOLERANCES ARE △ .X ±0.50 X.* ±5* △ .XX ±0.30 .X.* ±3* △ .XXX ±0.15 .XX.* ±2*
11250		EMILY		
		HZF		
SCALE		REV.		UNIT
NONE		A3		mm

NO.	REV.	REVISIONS	CHK	DATE
△ A3		Modify Data	HZF	04/22/2015
△ A2		Modify Data	HZF	06/14/2013
△ A1		Modify Data	HZF	01/23/2013
△ A0		NEW RELEASE	HZF	10/23/2009