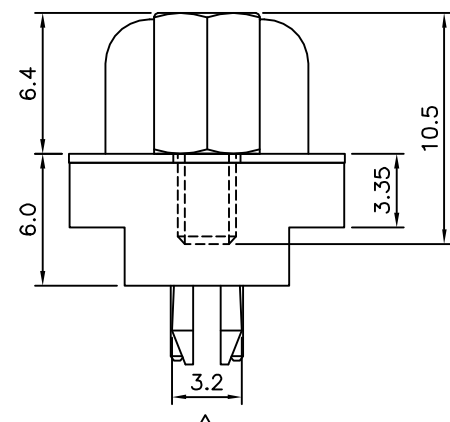
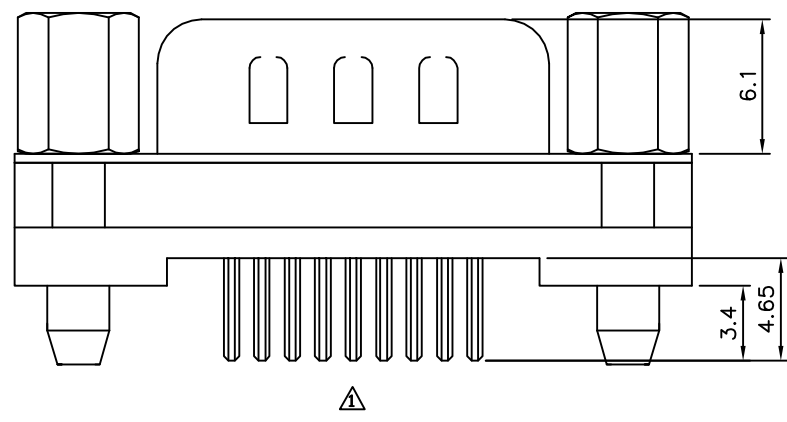
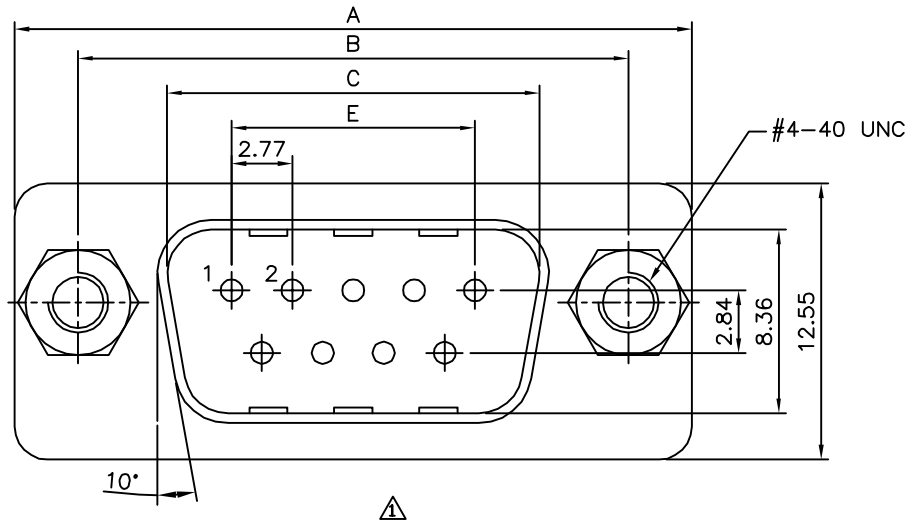


△ SPECIFICATION
 Current Rating:3 Amp
 Voltage Rating:250V AC/RMS 60Hz
 Contact Resistance:20 Milliohms Max. At 1 Amp DC
 Insulation Resistance:1000 Megaohms Min. At 500V DC
 Withstanding Resistance:1000V AC/RMS 60Hz For 1 Minute
 △ Operation Temperature:-55°C~+105°C
 Insulator:PBT+30%G.F.(UL94V-0),Black
 △ Contact:Brass,Gold Plated On Contact Area,Tin Plated On Solder Tails,Over Nickel
 Shell:Steel,Tin Plated Over Copper
 Boardlock:Brass,Tin Plated
 Screw:Brass,Nickel Plated
 RoHS Compliant



△ Pin	A	B	C	E
09	30.81	24.99	16.92	11.08
15	39.20	33.30	25.25	19.39
25	53.05	47.04	38.96	33.24
37	69.40	63.50	55.42	49.86

4UCON 元化興業股份有限公司
 4UCON TECHNOLOGY INC.

DRAWING No.		APPROVED BY		UNLESS OTHERWISE SPECIFIED TOLERANCES ARE .X ±0.38 X.* ±3* .XX ±0.25 .X.* ±1.0* .XXX ±0.13 △
09796		EMILY		
		CHECKED BY		
		HZF		
		DRAWING BY		UNIT mm
		HAO		
SCALE	NONE	REV.	A3	NO. REV.

NO. REV.	REVISIONS	CHK	DATE
△ A3	Modify Spec.	HZF	11/12/2014
△ A2	Add Operation Temp.	HZF	09/08/2011
△ A1	Modify Data	HZF	07/15/2011
△ A0	NEW RELEASE		