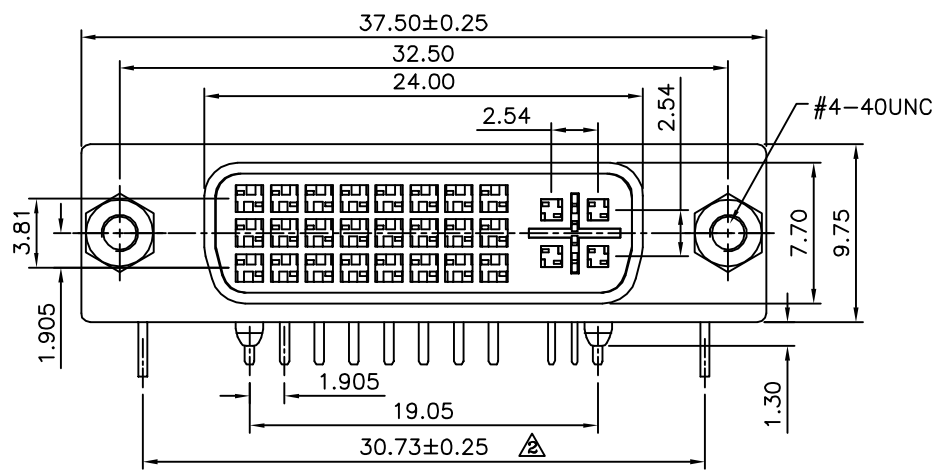
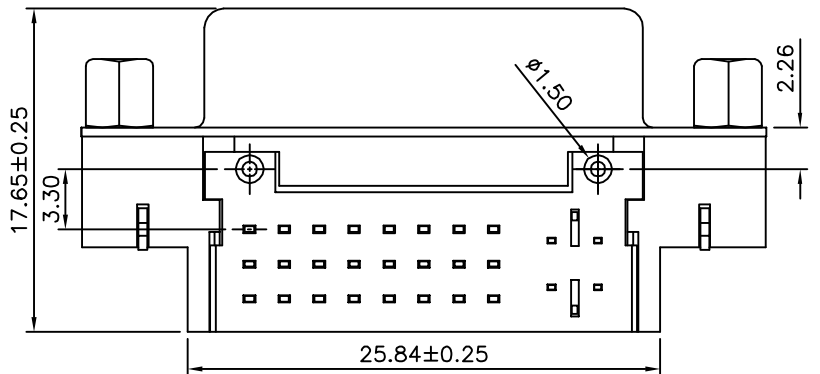


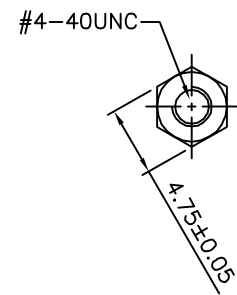
Recommended P.C.B. Layout



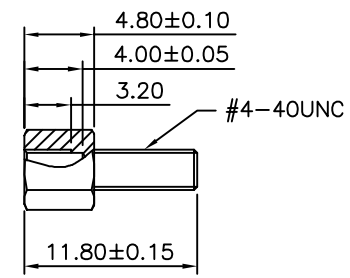
Recommended P.C.B. Layout



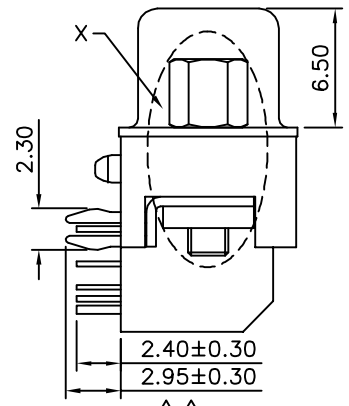
Recommended P.C.B. Layout



Detail X



△ SPECIFICATION
 Dielectric Withstanding Voltage:500V AC
 Contact Resistance:30 Milliohms Max.
 Insulation Resistance:1000 Megaohms Min.
 At 500V DC
 Operation Temperature:-20°C~+85°C
 Housing:PBT+30%G.F.(UL94V-0),White
 Cover:PA66+30%G.F.(UL94V-0),White
 Contact:Brass,Gold Flash On Contact Area,Tin
 Plated On Solder Tails,Over Nickel
 Z Flake:SPCC,Tin Plated
 Shell:SPCC,Nickel Plated Over Copper
 Rivet:Copper Alloy,Nickel Plated
 Screw:12L14,Nickel Plated
 RoHS Compliant



Recommended P.C.B. Layout

4UCON 元化興業股份有限公司
 4UCON TECHNOLOGY INC.

DRAWING No.		APPROVED BY		UNLESS OTHERWISE SPECIFIED TOLERANCES ARE △.X ±0.25 .X* ±3* .XX ±0.15 .XX* ±1* .XXX ±0.05 .XXX* ±0.5* UNIT mm	△ A4	Modify Data	HZF	09/05/2012	
09403		EMILY			△ A3	Modify Data	HZF	08/07/2012	
		CHECKED BY			△ A2	Modify 30.73±0.25-->30.73±0.30	HZF	03/04/2010	
SCALE		NONE		DRAWING BY		△ A1	Modify Data	HZF	07/18/2009
		REV.		A4		△ A0	NEW RELEASE	HZF	06/08/2008
NO.		REV.		REVISIONS		CHK	DATE		