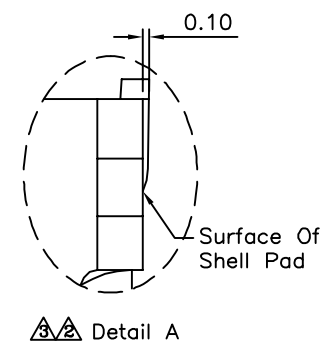
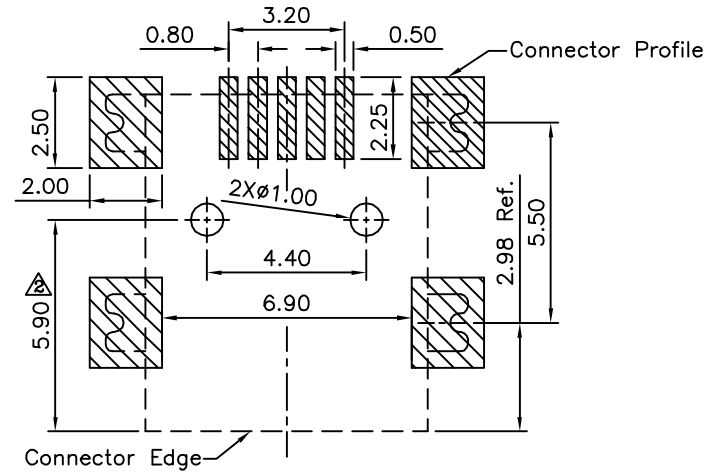
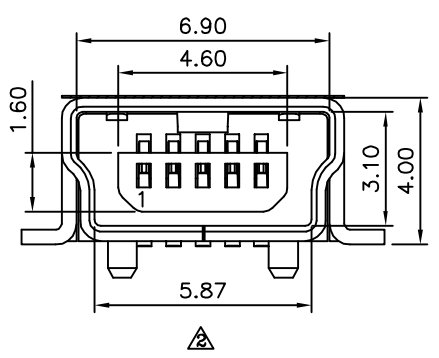
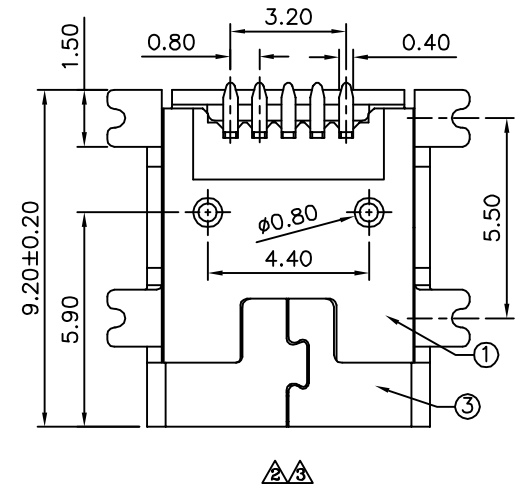
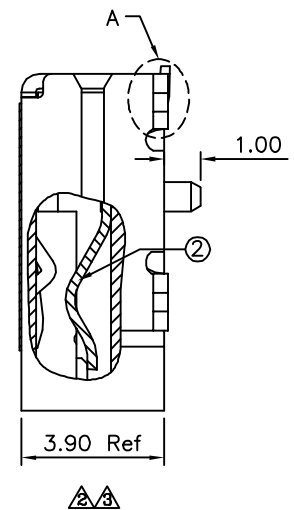
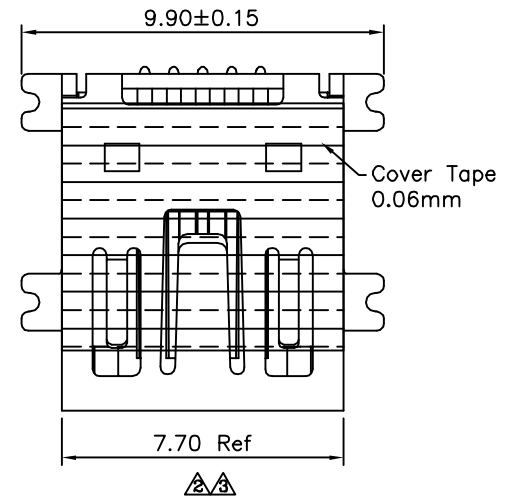


△△ SPECIFICATION

Current Rating:1A Max.
 Dielectric Withstanding Voltage:30V AC For 1 Minute
 Contact Resistance:30 Milliohms Max.
 Insulation Resistance:1000 Megaohms Min. At DC 500V
 Insertion Force:30 Newtons Max.
 Extraction Force:5 Newtons Min.
 Temperature Range:-55°C~+105°C
 ① Insulator:LCP(UL94V-0),Black
 ② Contact:C5191,Gold Flash On Contact Area,
 Tin Plated On Solder Tails,Over Nickel
 ③ Shell:C2680,Nickel Plated
 RoHS Compliant



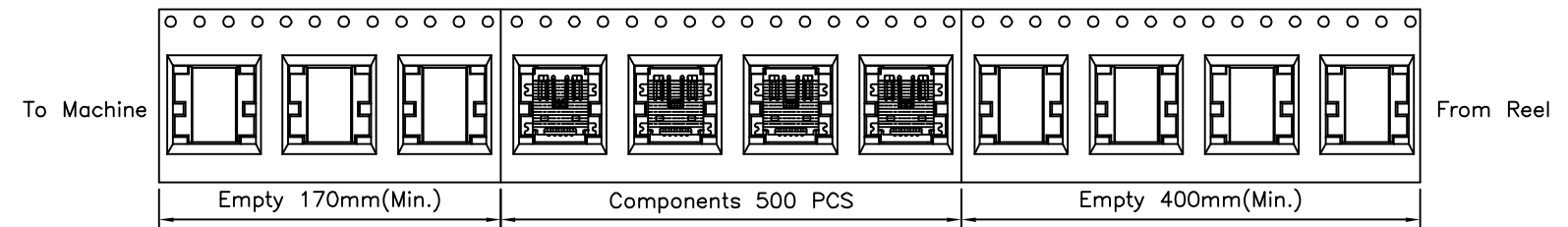
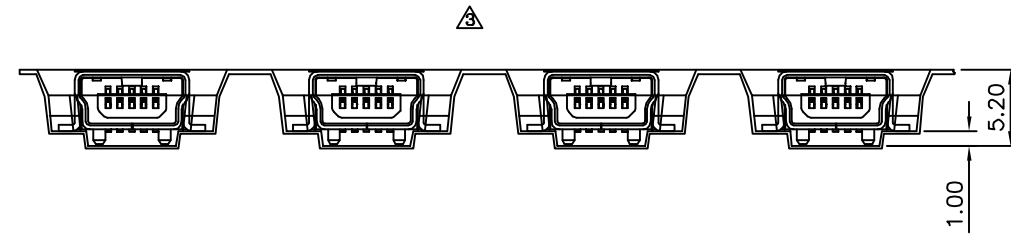
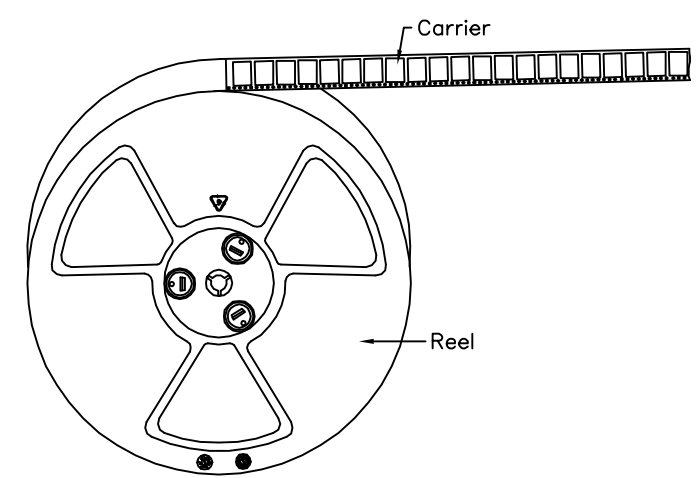
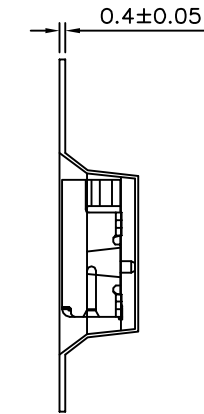
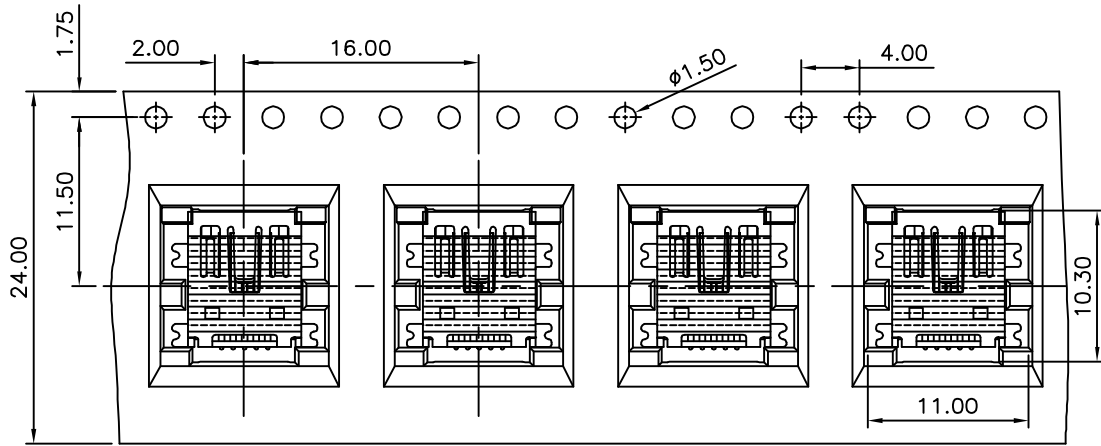
△ Recommended P.C.B. Layout

4UCON 元化興業股份有限公司
 4UCON TECHNOLOGY INC.

DRAWING No.		APPROVED BY		UNLESS OTHERWISE SPECIFIED TOLERANCES ARE .X ±0.30 .XX ±0.20 .XXX ±0.10 ANG. ±1°
06564		EMILY		
		CHECKED BY HZF		
		DRAWING BY GAO		
SCALE	NONE	REV.	A3	UNIT mm

NO.	REV.	REVISIONS	CHK	DATE
△ A3		Modify Data	HZF	06/05/2013
△ A2		Modify Data	HZF	04/12/2010
△ A1		Modify Part No.	INGRID	10/01/2007
△ A0		NEW RELEASE	HZF	10/19/2006

SPECIFICATION
 Carrier: Anti-Static Polystyrene, Black
 Reel Size: $\phi 330$ mm
 Q'ty: 500 PCS/Reel
 RoHS Compliant



← User Direction Of Feed

4UCON 元化興業股份有限公司
 4UCON TECHNOLOGY INC.

DRAWING No.		APPROVED BY		UNLESS OTHERWISE SPECIFIED TOLERANCES ARE .X ±0.30 .XX ±0.20 .XXX ±0.10 ANG. ±1°
06564		EMILY		
		CHECKED BY		
		HZF		
		DRAWING BY		UNIT mm
		GAO		
SCALE	NONE	REV.	A3	NO. REV.

NO. REV.	REVISIONS	CHK	DATE
A3	Modify Data	HZF	06/05/2013
A2	Modify Data	HZF	04/12/2010
A1	Modify Part No.	INGRID	10/01/2007
A0	NEW RELEASE	HZF	10/19/2006