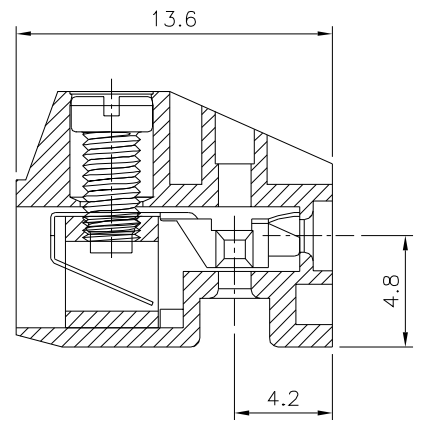
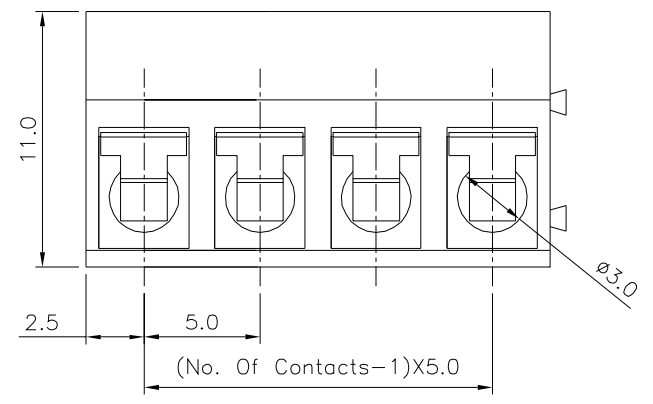
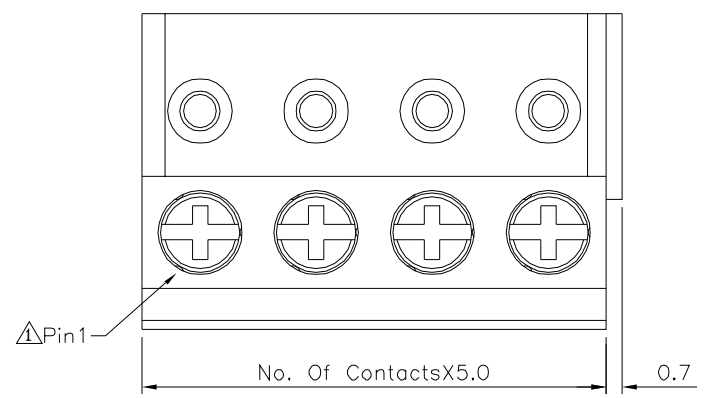


**△ SPECIFICATION**

Current Rating:10Amps/Way Max.  
 Voltage Rating:300V AC  
 Contact Resistance:20 Milliohms Max.  
 Operation Temperature:-40°C To +105°C  
 Soldering Reliability Temperature:250°C±10°C,5Sec. Max.  
 Wire Range:14~22AWG  
 Torque:4Kgf.cm/M2.6  
 Contact(Metal Housing):Copper Alloy,Nickel Plated  
 Terminal Screw:Steel,Galvanized With Cr3+ Plated  
 Wire Guard:Copper Alloy,Tin Plated  
 △ Insulator Body(Housing):Polyamide(UL94V-0),Blue  
 RoHS Compliant



**4UCON** 元化興業股份有限公司  
 4UCON TECHNOLOGY INC.

|               |    |                |  |  |
|---------------|----|----------------|--|--|
| DRAWING No. △ |    | APPROVED BY    |  | UNLESS OTHERWISE SPECIFIED TOLERANCES ARE<br>X. ±0.50<br>.X ±0.30<br>.XX ±0.20<br>ANG. ±1° |
| 05342         |    | MEI            |  |  |
|               |    | CHECKED BY HZF |  |  |
| SCALE NONE    |    | DRAWING BY SAN |  |  |
|               |    | REV. A2        |  |  |
| UNIT          | mm |                |  |  |

|      |      |             |     |            |
|------|------|-------------|-----|------------|
| NO.  | REV. | REVISIONS   | CHK | DATE       |
| △ A2 |      | Modify Data | HZF | 10/16/2021 |
| △ A1 |      | Modify Data | HZF | 05/02/2014 |
| △ A0 |      | NEW RELEASE | HZF | 04/29/2009 |