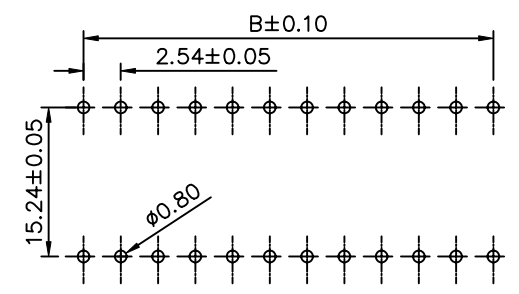
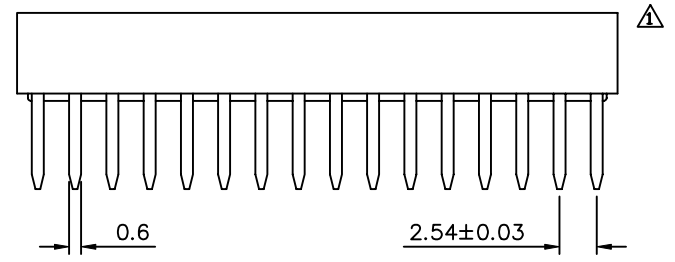
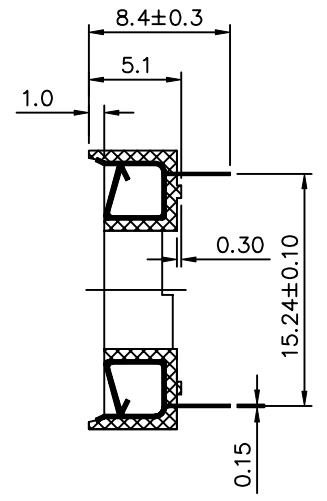
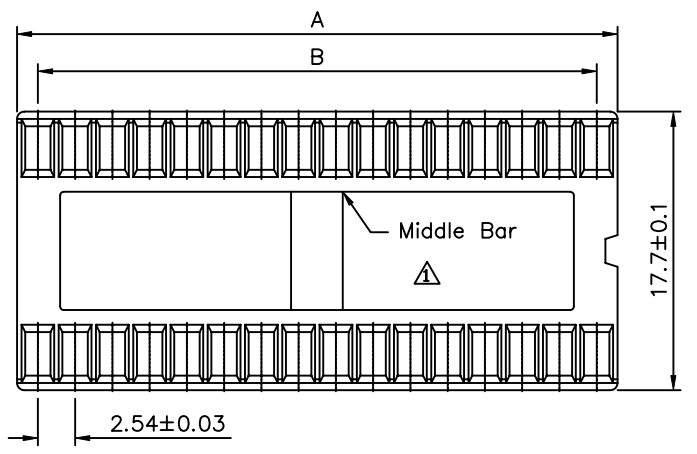


△ SPECIFICATION
 Current Rating: 1 mA
 Dielectric Withstanding Voltage: 1000V AC/5s
 Insulation Resistance: 1000 Megaohms 500V DC
 Operation Temperature: -55°C~+105°C
 Insulator: PBT+G.F. UL94V-0, Black
 Contact: Phosphor Bronze, Tin Plated
 Contact Separation Force: 0.5kg/Pin Min.
 RoHS Compliant



△ PCB Layout



Contacts	A ±0.00 ±0.15	B ±0.10	Remark
24	30.48	27.94	With Middle Bar
28	35.56	33.02	
32	40.64	38.10	
40	50.80	48.26	
42	53.34	50.80	
48	60.96	58.42	

4UCON 元化興業股份有限公司
 4UCON TECHNOLOGY INC.

DRAWING No.		APPROVED BY		UNLESS OTHERWISE SPECIFIED TOLERANCES ARE X. ±0.25 .X ±0.20 .XX ±0.10
04795		MEI		
		CHECKED BY		
		HZF		
		DRAWING BY		UNIT mm
		LXX		
SCALE	NONE	REV.	A1	NO. REV.

△ A1	Modify Data	HZF	12/17/2009
△ A0	NEW RELEASE		
NO. REV.	REVISIONS	CHK	DATE