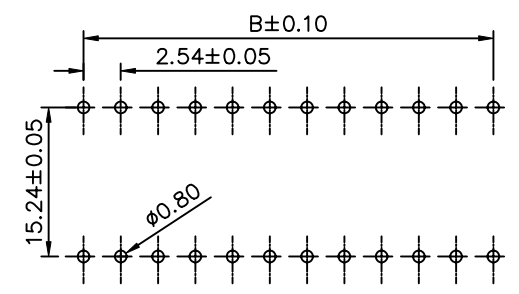
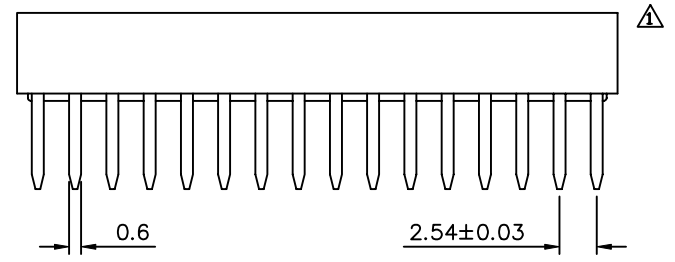
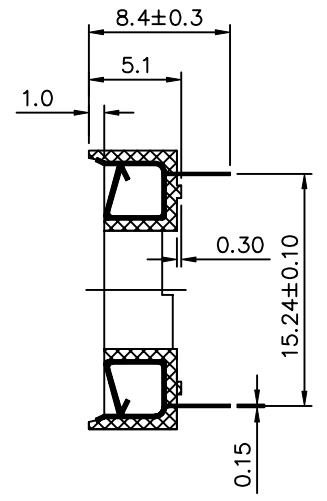
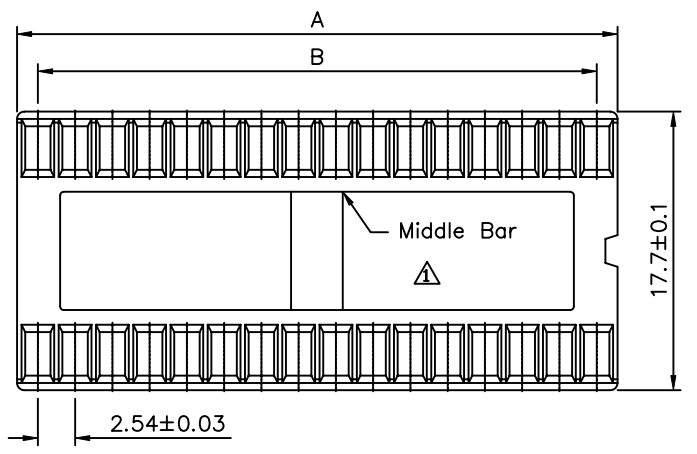


**△ SPECIFICATION**  
 Current Rating: 1 mA  
 Dielectric Withstanding Voltage: 1000V AC/5s  
 Insulation Resistance: 1000 Megaohms 500V DC  
 Operation Temperature: -55°C~+105°C  
 Insulator: PBT+G.F. UL94V-0, Black  
 Contact: Phosphor Bronze, Tin Plated  
 Contact Separation Force: 0.5kg/Pin Min.  
 RoHS Compliant



**△ PCB Layout**



**△**

Contacts	A ±0.00 ±0.15	B ±0.10	Remark
24	30.48	27.94	With Middle Bar
28	35.56	33.02	
32	40.64	38.10	
40	50.80	48.26	
42	53.34	50.80	
48	60.96	58.42	

**4UCON** 元化興業股份有限公司  
 4UCON TECHNOLOGY INC.

DRAWING No.		APPROVED BY		UNLESS OTHERWISE SPECIFIED TOLERANCES ARE X. ±0.25 .X ±0.20 .XX ±0.10
04785		MEI		
		CHECKED BY		
		HZF		
		DRAWING BY		UNIT mm
		LXX		
SCALE	NONE	REV.	A1	

NO.	REV.	REVISIONS	CHK	DATE
△ A1		Modify Data	HZF	12/17/2009
△ A0		NEW RELEASE		