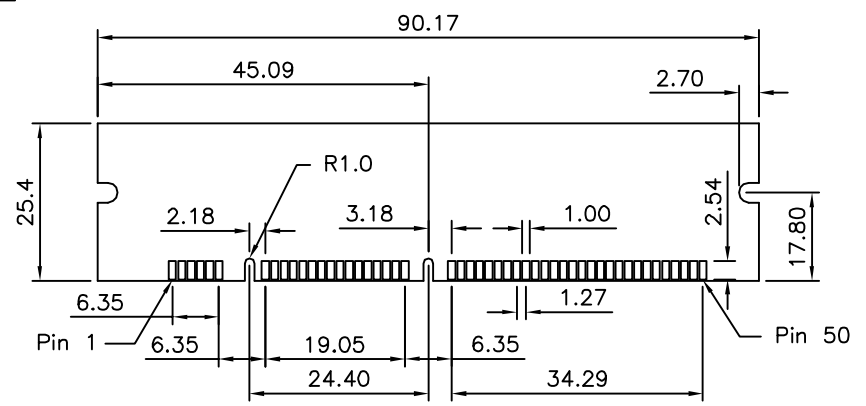
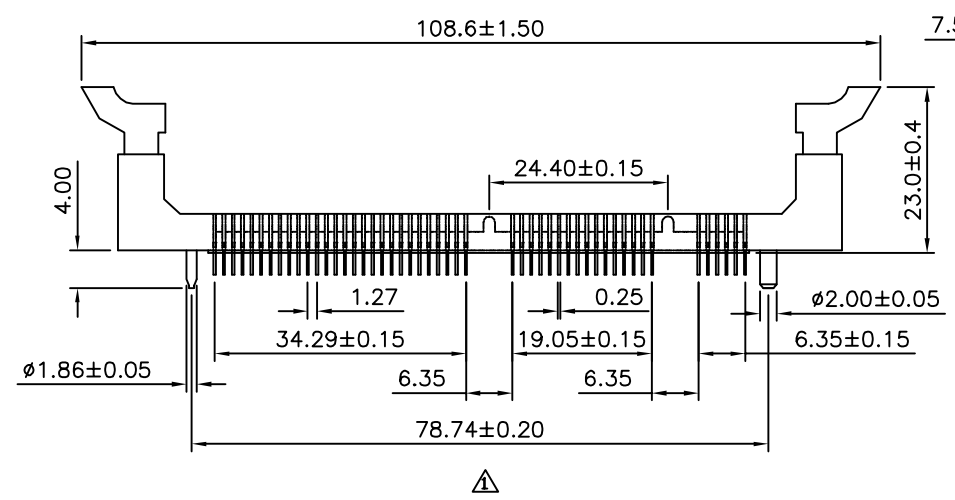
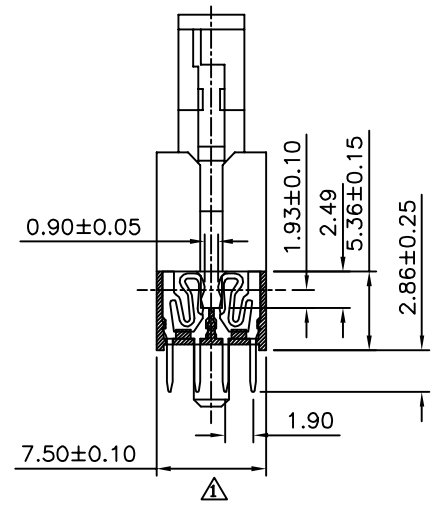
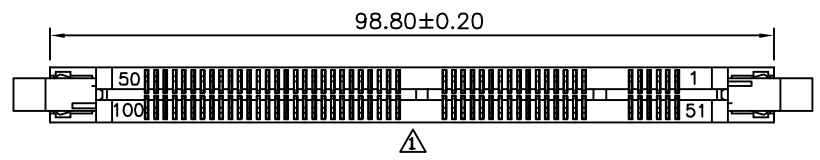


SPECIFICATION

Contact Current Rating:1Amp
 Contact Resistance:30 Milliohms Max.
 Insulation Resistance:1000 Megaohms At 500V DC
 Dielectric Withstanding Voltage:1000V AC
 Capacitance:1pf Max.
 Durability:25 Circles Min.
 Contact Engaging Force:110g Max. Per Contact,Initial
 Contact Separating Force:40g Min. Per Contact,Initial
 Operating And Storage Temperature:-55°C~+105°C
 Body:LCP(UL94V-0)
 ⚠Contact:Brass,Selective Gold Plated Over Nickel
 Latch:PA66(UL94V-0)
 RoHS Compliant



4UCON 元化興業股份有限公司
 4UCON TECHNOLOGY INC.

DRAWING No.		APPROVED BY		UNLESS OTHERWISE SPECIFIED TOLERANCES ARE X. ±0.50 .X ±0.35 .XX ±0.25 .XXX ±0.05
04677		MEI		
		CHECKED BY		
		HZF		
		DRAWING BY		UNIT mm
		HAO		
SCALE	NONE	REV.	B1	

NO.	REV.	REVISIONS	CHK	DATE
⚠ B1		Modify Data	HZF	09/07/2015
⚠ B0		NEW RELEASE	HZF	03/17/2009