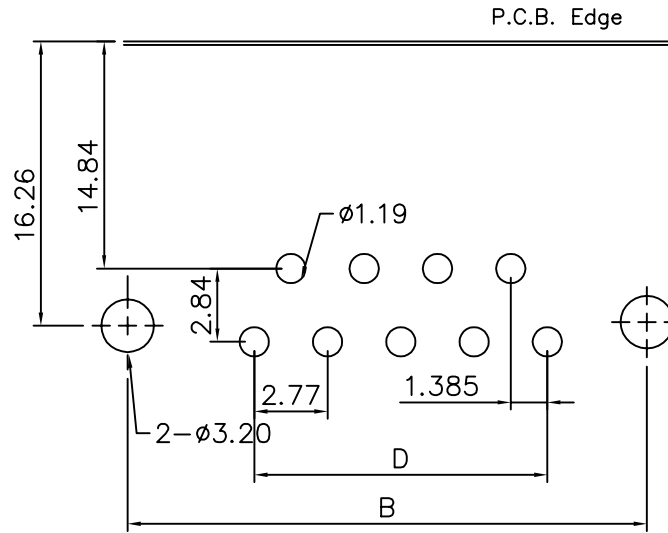
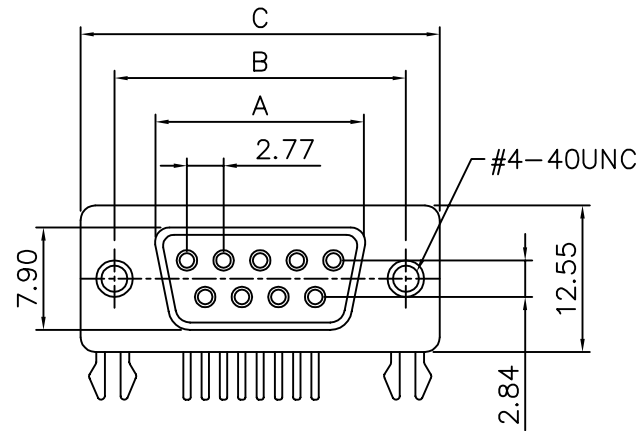
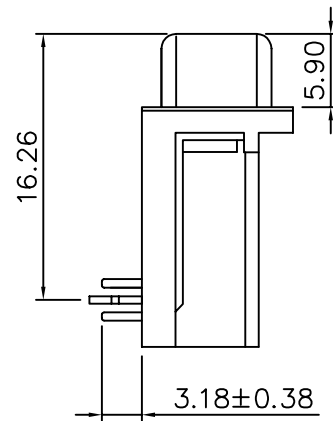
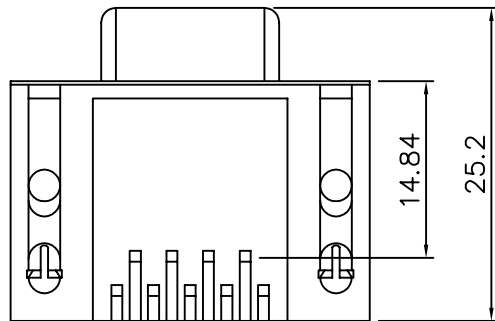


SPECIFICATIONS

Current Rating: 5 AMP
 Dielectric Withstanding Voltage:
 1000V Per Minute
 Insulation Resistance: 1000 Megohms Min.
 At 500V DC
 Contact Resistance: 15 Milliohms Max. 10 SES.
 Operating Temperature: -55°C ~ +105°C
 Insulator: PBT+30% Glass Fiber
 UL 94V-0
 Contact: Brass, Tin Plated
 Shell: Steel Nickel Plated



P.C.B. Layout



Pin	A±0.20	B±0.25	C±0.38	D
09	16.33	24.99	30.80	11.08
15	24.66	33.32	39.10	19.39
25	38.38	47.04	53.00	33.24
37	54.84	63.50	69.32	49.86

4UCON 元化興業股份有限公司
 4UCON TECHNOLOGY INC.

DRAWING No.

03132

APPROVED BY

MEI

CHECKED BY

RAN

DRAWING BY

HZF

UNLESS OTHERWISE SPECIFIED TOLERANCES ARE

.X ±0.25
 .XX ±0.15
 .XXX ±0.05

SCALE

NONE

REV.

A

UNIT
 mm



AREA

REVISIONS

CHK

DATE