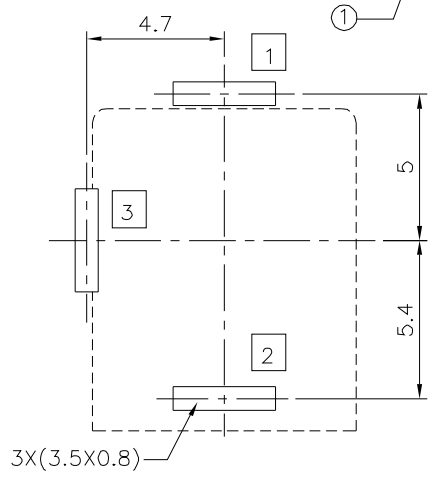
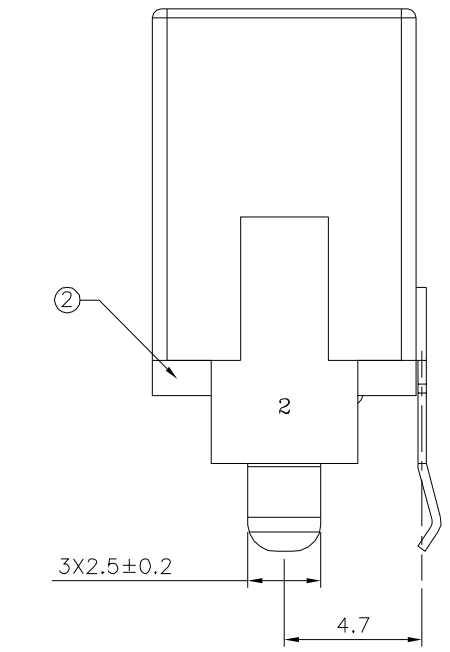
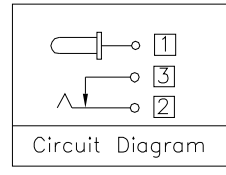
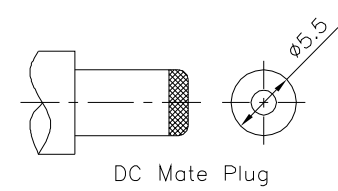
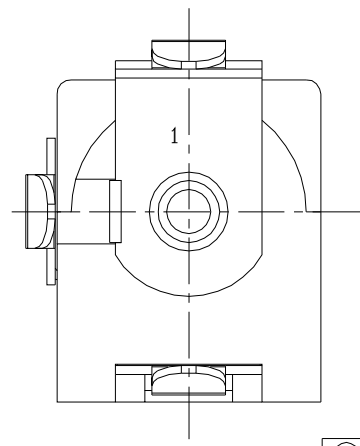


SPECIFICATION
 Rating:DC 12V 3.5A
 Withstand Voltage:500V AC
 Contact Resistance:30 Milliohms Max.
 After Test:50 Milliohms Max.
 Insulation Resistance:100 Megaohms Min. (500V DC)
 After Test:50 Megaohms Min.
 Operation Temperature Range:-20°C~+70°C
 RoHS Compliant



Recommended P.C.B. Layout
 Tolerance:±0.05(Bottom View)



⑥	Shunt Terminal	3	1	Brass	Tin Plated
⑤	Tip Spring	2	1	Phosphor Bronze	Tin Plated
④	Center Pin Terminal	1	1	Brass	Tin Plated
③	Center Pin	1	1	Brass	CuSn Plated
②	Cover		1	PF	
①	Housing		1	PBT	Black
No.	Description	Q'ty	Material	Remark	

○ :Item No. □ :Terminal No.

4UCON 元化興業股份有限公司
 4UCON TECHNOLOGY INC.

DRAWING No.		APPROVED BY		UNLESS OTHERWISE SPECIFIED TOLERANCES ARE	
23071		Jason Wu		.X ±0.38 X.* ±5°	
		CHECKED BY		.XX ±0.30 X.* ±3°	
		Leo Han		.XXX ±0.15 .XX* ±2°	
		DRAWING BY			
		Michelle Lee			
SCALE	NONE	REV.	A0	UNIT	mm

△ A0	NEW RELEASE	HZF	10/17/2025
NO.REV.	REVISIONS	CHK	DATE