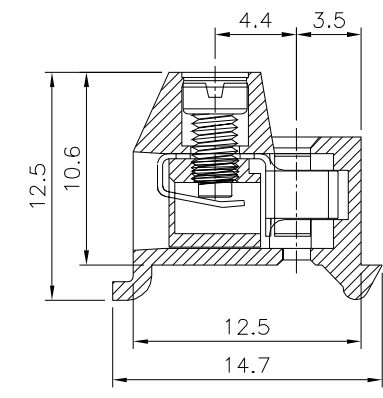
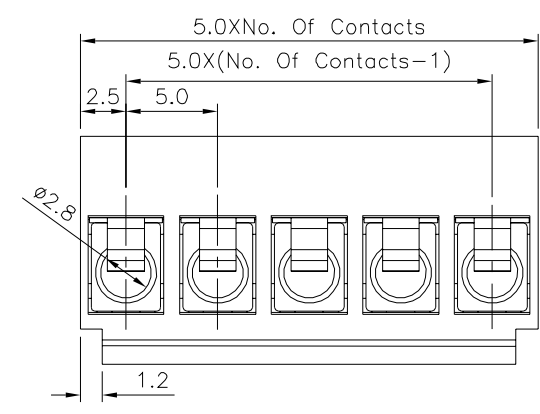
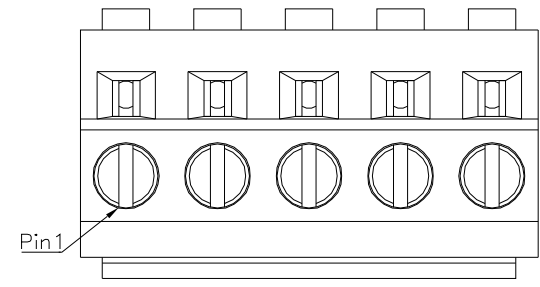


△ SPECIFICATION
 Current Rating: 10A/Way Max.
 Voltage Rating: 300V AC
 Withstanding Voltage: 2500V AC/Minute
 Contact Resistance: 20 Milliohms Max.
 Wire Range: 14~26AWG
 Torque: 4.0 kgf.cm/M2.5
 Operating Temperature: -40°C~+105°C
 Contact: Copper Alloy, Nickel Plated
 Terminal Screw: Steel, Galvanized With Cr3+ Plated
 Wire Guard: Copper Alloy, Tin Plated
 △ Insulator: Polyamide (UL94V-0), Black
 RoHS Compliant



4UCON 元化興業股份有限公司
 4UCON TECHNOLOGY INC.

DRAWING No.		APPROVED BY		UNLESS OTHERWISE SPECIFIED TOLERANCES ARE X. ±0.50 .X ±0.30 .XX ±0.20 ANG. ±1°
22996		MEI		
		CHECKED BY		
HZF		DRAWING BY		
CYP		A2		UNIT
SCALE	NONE	REV.	A2	mm

NO.	REV.	REVISIONS	CHK	DATE
△ A2		Modify Data	HZF	03/11/2025
△ A1		Modify Data	HZF	09/02/2024
△ A0		NEW RELEASE	HZF	02/21/2018