

SPECIFICATION

Current Rating: 5A For Pin(A4,A9,B4,B9)
 1.25A For Pin(B5)
 0.25A For Other Pins

Voltage Rating: 20V

Insulation Resistance: 100 Megaohms Min.

Contact Resistance: VBUS & GND Pins And
 Other Pins: 40 Milliohms/Pin Max.

Shield: 50 Milliohms Max.

LLCR Max. Change Of All Pins: 10 Milliohms

Withstand Voltage: 100V AC/Minute

Operation Temperature: -25°C ~ +85°C

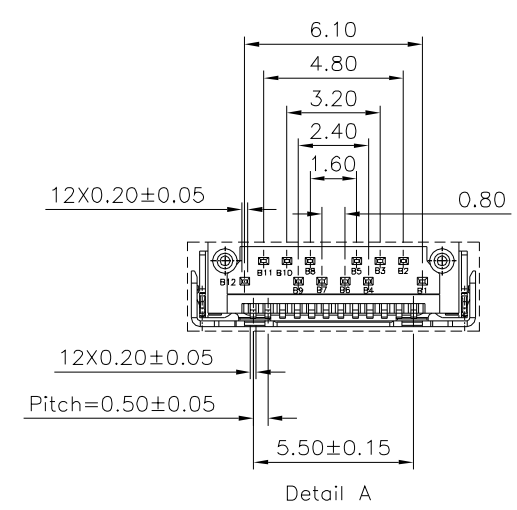
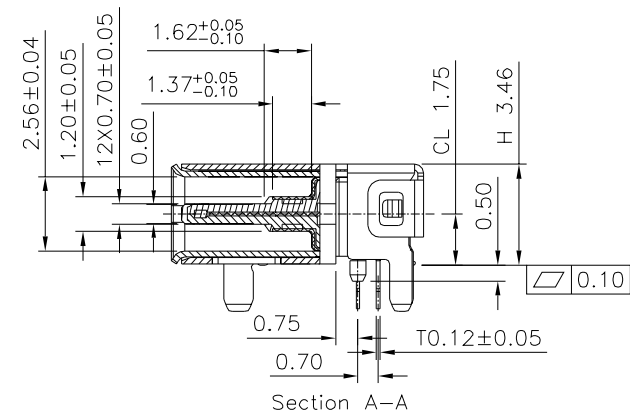
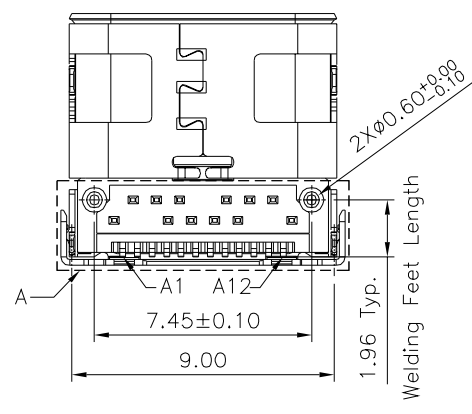
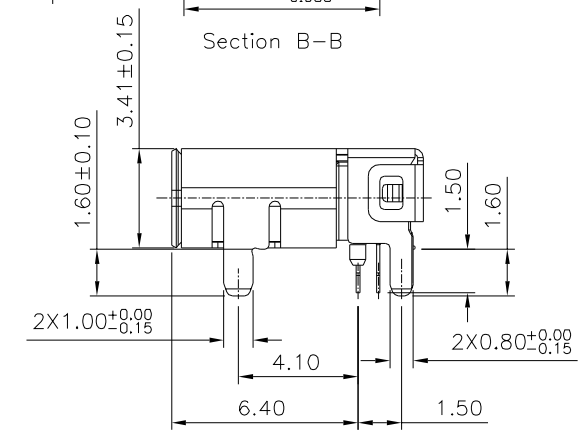
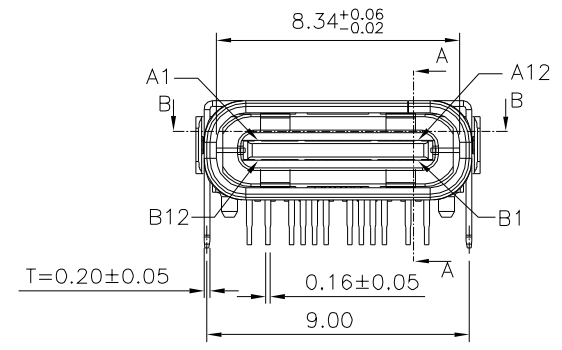
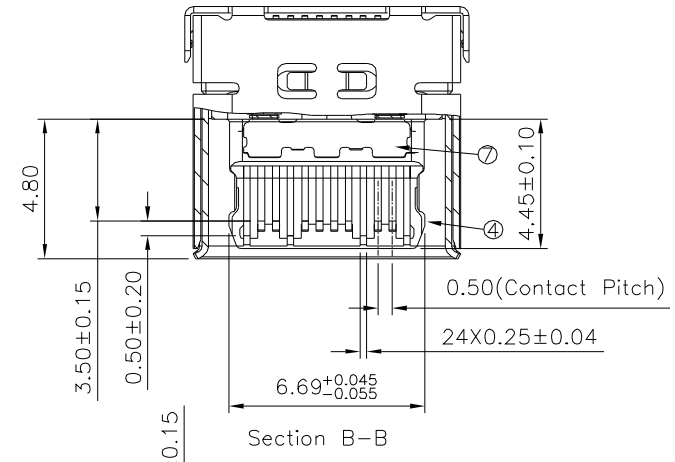
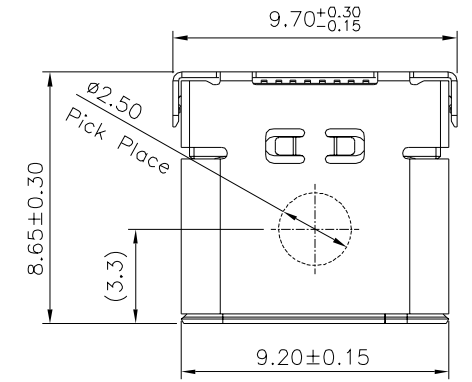
Insertion Force: 5~20N

Extraction Force: Initial: 8~20N
 After Durability: 6~20N

Durability: 10000 Cycles

MID Plate, EMC Plate, Shell Connected Together

RoHS Compliant



4UCON 元化興業股份有限公司
 4UCON TECHNOLOGY INC.

DRAWING No.		APPROVED BY		UNLESS OTHERWISE SPECIFIED TOLERANCES ARE .X ±0.30 .XX ±0.25 .XXX ±0.10
22637		MEI		
		CHECKED BY	HZF	
		DRAWING BY	LZX	
SCALE	NONE	REV.	A0	UNIT mm

NO.	REV.	DESCRIPTION	CHK	DATE
△ A0		NEW RELEASE	HZF	08/28/2023
		REVISIONS		

