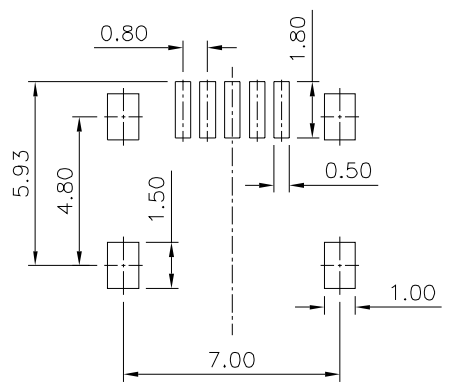
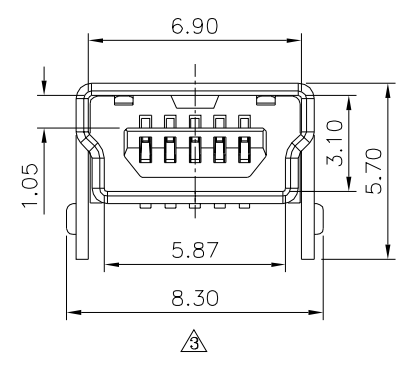
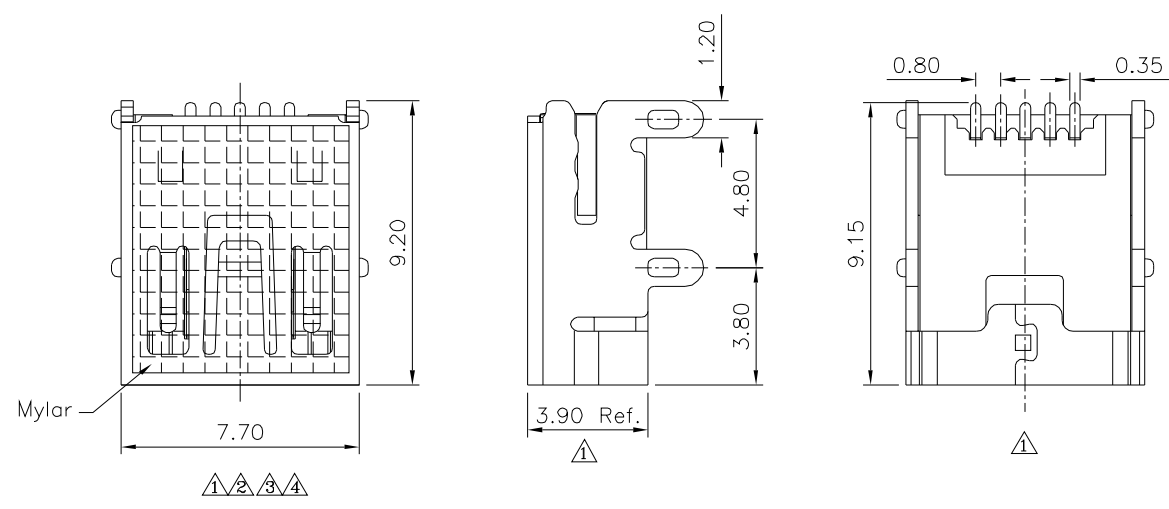


SPECIFICATION

Current Rating:1A Max.
 Dielectric Withstanding Voltage:100V AC For 1 Minute
 Contact Resistance:50 Milliohms Max.
 Insulation Resistance:100 Megaohms Min.
 Temperature Range:-55°C~+85°C
 Total Mating Force:3.57 Kgf Max.
 Total Unmating Force:0.7 Kgf Min. After Durability
 5000 Cycles,0.3 Kgf Min.
 Contact:C5191-EH,Gold Flash On Contact Area,
 Tin Plated On Solder Tails,Over Nickel
 Shell:C2680R-H,Nickel Plated Over All
 Insulator:LCP+30%G.F.(UL94V-0),Black
 Mylar:Polyimide Tape
 RoHS Compliant



Recommended PCB Layout

4UCON 元化興業股份有限公司
 4UCON TECHNOLOGY INC.

DRAWING No.		APPROVED BY		UNLESS OTHERWISE SPECIFIED TOLERANCES ARE		A4		Modify Data	HZF	02/24/2016
21954		MEI				A3		Modify Data	HZF	06/26/2014
		CHECKED BY				HZF		A2		Modify Data
		DRAWING BY		CYP		A1		Modify Data	HZF	09/11/2012
SCALE	NONE	REV.	A4	UNIT	mm	A0		NEW RELEASE	HZF	02/20/2012
				NO. REV.		REVISIONS		CHK	DATE	